

8FG10

8FD10



8FD25

MAIN VEHICLE SPECIFICATIONS

(January 2016)

				TOYOTA		TOYOTA		
				30-8FG10	32-8FG10	60-8FD10	62-8FD10	
1	Manufacturer			TOYOTA		TOYOTA		
2	Model			30-8FG10	32-8FG10	60-8FD10	62-8FD10	
3	Load Capacity	kg		1000		1000		
4	Load Center	mm		500		500		
5	Power Type			Gasoline		Diesel		
6	Operator Position			Rider Seated		Rider Seated		
7	Tire Type	Front/Rear		Pneumatic		Pneumatic		
8	Wheels (x = driven)	Front/Rear		2x/2		2x/2		
9	Maximum Fork Height (MFH)	mm		3000		3000		
10	Free Lift	mm		140		140		
13	Fork Size	T x W x L		30x100x1070		30x100x1070		
	Fork Spread (Outside)	MAX./MIN.		920/200		920/200		
14	Tilt Range	FWD/BWD		deg		7/10		
15	Length to Fork Face	mm		2240		2240		
16	Overall Width	mm		1045		1045		
17	Mast Lowered Height	mm		1970		1970		
18	Mast Extended Height	mm		4220		4220		
19	Overhead Guard Height	mm		2080		2080		
21	Turning Radius (Outside)	mm		1910		1910		
22	Load Distance (Centerline of front axle to front face of forks)	mm		400		400		
	Rear Overhang	mm		355		355		
23	Basic Right Angle Stacking Aisle Width (Add load length and clearance)	mm		2310		2310		
24	Speeds	Travel, Max. (FWD/RVS)	Full Load	km/h	19.0/19.0	18.5/18.5	17.5/17.5	17.5/17.5 <16.5/16.5>
			No Load	km/h	19.5/19.5	19.0/19.0	18.0/18.0	18.0/18.0 <17.0/17.0>
25		Lifting	Full Load	mm/sec	610	610	650	650<650>
			No Load	mm/sec	660	660	675	675<675>
26		Lowering	Full Load	mm/sec	500	500	500	500<500>
			No Load	mm/sec	550	550	550	550<550>
28	Max. Drawbar Pull		Full Load	N (kg)	16800 (1710)	19500 (1990)	19500 (1990)	19500 (1990) <18300(1870)>
			No Load	N (kg)	7500 (760)	6800 (690)	7500 (760)	7500 (760) <7500(760)>
	Max. Drawbar Pull at 1.5km/h *		Full Load	N (kg)	—	17300 (1760)	—	17600(1790) <16000 (1630)>
29	Gradeability at 1.5 km/h *		Full Load	% (tanθ)	—	45	—	45<42>
30	Max. Gradeability *		Full Load	% (tanθ)	45	45	45	45<45>
			No Load	% (tanθ)	28	28	28	28<28>
32	Total Weight	kg		2070		2170		
33	Weight Distribution	Full Load	Front	kg	2670	2720	2720	2720
			Rear	kg	400	450	450	450
34		No Load	Front	kg	1060	1110	1110	1110
			Rear	kg	1010	1060	1060	1060
35	Tires	Number	Front/Rear	2/2		2/2		
37		Size	Front	6.00-9-10PR (I)		6.00-9-10PR (I)		
			Rear	5.00-8-8PR (I)		5.00-8-8PR (I)		
38	Wheelbase	mm		1485		1485		
39	Tread	Front	mm	885		885		
		Rear	mm	895		895		
	Backrest Height	mm		1220		1220		
	Overhead Guard Clearance	mm		1055		1055		
	Counterweight Height	mm		1070		1070		
	Drawbar Pin Center Height	mm		285		285		
	Step Height/Floor Height	mm		370/605		370/605		
40	Underclearance	Min. <Mast>	mm	80		80		
41	(Full Load)	Center of Wheelbase	mm	110		110		
	Grade Clearance	Frame/Counterweight	% (tanθ)	41/58		41/58		
42	Brake	Service (Foot)	Hydraulic		Hydraulic			
43		Parking	Hand		Foot			
45	Battery	Voltage/Capacity (5HR)	V/AH	12/27		12/55		
49	Internal Combustion Engine	Make/Model	TOYOTA/4Y		TOYOTA/1DZ-II[1DZ-III] ** <1DZ-III>***			
50		Rated Power/r.p.m.	kW (JIS ps)	40/2400 (54/2400)	40(55)/2400[38(52)/2400]<36(49)/2400>			
51		Rated Torque/r.p.m.	N-m (JIS kg-m)	162/1800 (16.5/1800)		167 (17.0) /1600 [157 (16.0) /2300] <150(15.3)/2000>		
52		Number of Cylinder	4		4			
	Piston Displacement	cc		2237		2486		
	Fuel Tank Capacity	liter		45		45		
55	Transmission	Type	Manual		Powershift			
		Stage	FWD/RVS	2/2	1/1	2/2	1/1	
57	Operating Pressure	For Attachments	Mpa (kg/cm ²)	11.8 (120)		11.8 (120)		

NOTE: * Computed values.

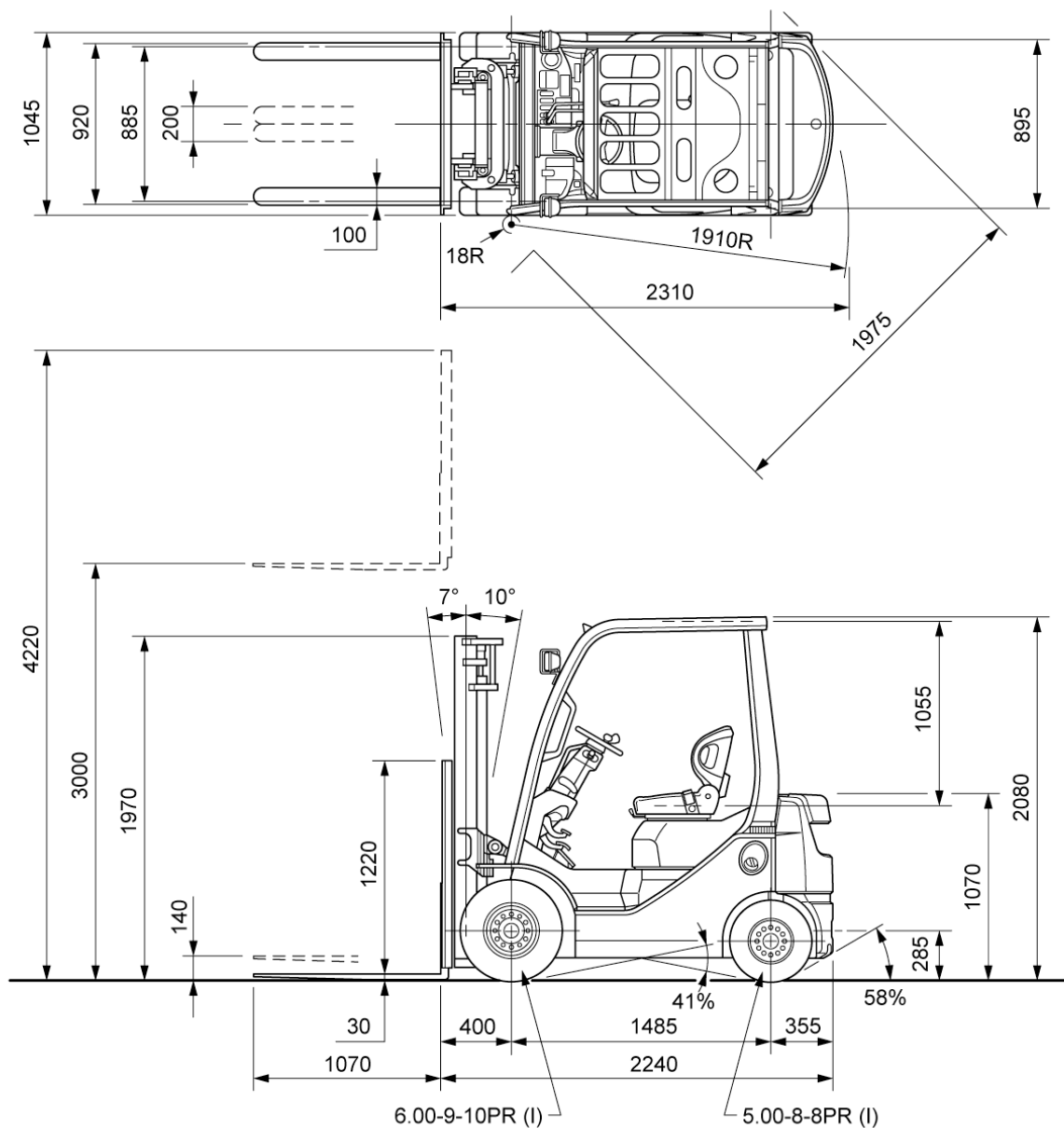
- ** 1DZ-II: Non-road Mobile Machinery (97/68/EC; Stage II) EPA Non-road Diesel Emissions (40 CFR Part 89; Interim Tier 2).
- 1DZ-III: Non-road Mobile Machinery (97/68/EC; Stage IIIA) EPA Non-road Diesel Emissions (40 CFR Part 1039; Interim Tier 4).
- *** 1DZ-III: Non-road Mobile Machinery (GB20891-2014; Stage III, IV)

DIMENSIONAL DRAWINGS

(February 2011)

Unit: mm

8FG/8FD10



UNDERCLEARANCE

Mast (Full Load).....	80
Drive Axle (Full Load).....	80
Steer Axle (No Load).....	130
Center of Wheelbase (Full Load).....	110
Counterweight (No Load).....	125

SPECIAL TREAD

(February 2011)

Model		8FG/8FD10		
Front Tire	Single/Dual	Single	Single	Dual
Front Tire Size		6.00-9-10PR (I)	6.50-10-10PR (I)	4.50-12-8PR (I)
Overall Width	mm	1045	1070	1290
Tread, Front	mm	885	885	1010

SPECIAL MAST

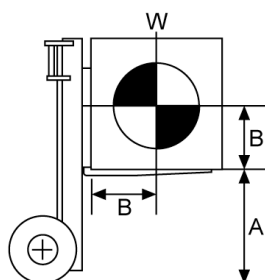
(January 2016)

Wide Visible Full-Free Lift Two-Stage Mast (FV), Wide Visible Full-Free Lift Three-Stage Mast (FSV)

Model		8FG10	8FD10 <36kW>	8FG10	8FD10 <36kW>
Type of Mast		FV		FSV	
PERFORMANCE					
Speeds	Lifting	Full Load	mm/sec	565	600<580>
		No Load	mm/sec	610	640<610>
	Lowering	Full Load	mm/sec	480	
		No Load	mm/sec	420	
DIMENSIONS					
Load Distance (Centerline of front axle to front face of forks)		mm	400		420

RATED CAPACITIES

(April 2009)

8FG/8FD10

A: Max. Fork Height
B: Load Center
W: Capacity

V, FV Mast (PN or PSC)

Unit: kg (W)

A (mm)	4000	4500	5000
500	1000	950	950
600	900	850	850
700	810	770	770
B (mm)	800	750	710
	900	690	650
	1000	640	610
	1100	600	570
	1200	560	530

FSV Mast (PN)

Unit: kg (W)

A (mm)	3700	4000	4300	4500	4700	5000	5500	6000	6500	7000
500	950	900	900	900	900	850	850	700 [800]	— [700]	— [650]
	600	850	810	810	810	760	760	630 [720]	— [630]	— [580]
		700	780	740	740	740	690	690	570 [650]	— [570]
B (mm)	800	710	670	670	670	640	640	520 [600]	— [520]	— [490]
	900	660	620	620	620	590	590	480 [550]	— [480]	— [450]
	1000	610	580	580	580	550	550	450 [510]	— [450]	— [420]
	1100	570	540	540	540	510	510	420 [480]	— [420]	— [390]
	1200	540	510	510	510	480	480	390 [450]	— [390]	— [370]

[] for dual tire models (PN or PSC).

FSV Mast (PSC)

Unit: kg (W)

A (mm)	6000
500	800
600	720
700	650
B (mm)	800
	900
	1000
	1100
	1200

MAST SPECIFICATIONS & RATED CAPACITIES

(April 2009)

Wide Visible Mast (V), Wide Visible Full-Free Lift Two-Stage Mast (FV), Wide Visible Full-Free Lift Three-Stage Mast (FSV)

8FG/8FD10

Mast Type	Maximum Fork Height	Overall Height			Free Lift		Single Tire				Dual Tire		
		Lowered	Extended		Without Load Backrest	With Standard Load Backrest	Tilt Range		Load Capacity at 500 mm LC		Tilt Range		Load Capacity at 500 mm LC
			Without Load Backrest	With Standard Load Backrest			FWD	BWD	Pneumatic Tire	Pneumatic-Shaped Cushion Tire	FWD	BWD	PneumaticTire/ Pneumatic-Shaped Cushion Tire
		mm	mm	mm	mm	mm	mm	deg	deg	kg	kg	deg	deg
V	2700	1820*	3150**	3920	140	140	7	10	1000	1000	7	10	1000
	3000	1970*	3450**	4220	140	140	7	10	1000	1000	7	10	1000
	3300	2120*	3750**	4520	140	140	7	10	1000	1000	7	10	1000
	3500	2220*	3950**	4720	140	140	7	10	1000	1000	7	10	1000
	3700	2380*	4150**	4920	140	140	7	10	1000	1000	7	10	1000
	4000	2570*	4450**	5220	140	140	7	10	1000	1000	7	10	1000
	4500	2820*	4950**	5720	140	140	7	5	950	950	7	10	950
FV	5000	3070*	5450**	6220	140	140	7	5	950	950	7	5	950
	2870***	1905*	3440	4090	1335*	685*	7	10	1000	1000	7	10	1000
	3000	1970*	3570	4220	1400*	750*	7	10	1000	1000	7	10	1000
	3300	2120*	3870	4520	1550*	900*	7	10	1000	1000	7	10	1000
	3500	2220*	4070	4720	1650*	1000*	7	10	1000	1000	7	10	1000
	3700	2380*	4270	4920	1810*	1160*	7	10	1000	1000	7	10	1000
FSV	4000	2570*	4570	5220	2000*	1350*	7	10	1000	1000	7	10	1000
	3700	1770*	4240	4920	1230*	550*	7	5	950	950	7	5	950
	4000	1870*	4540	5220	1330*	650*	7	5	900	900	7	5	900
	4300	1970*	4840	5520	1430*	750*	7	5	900	900	7	5	900
	4500	2040*	5040	5720	1500*	820*	7	5	900	900	7	5	900
	4700	2120*	5240	5920	1580*	900*	7	5	900	900	7	5	900
	5000	2220*	5540	6220	1680*	1000*	7	5	850	850	7	5	850
	5500	2380*	6040	6720	1840*	1160*	7	5	850	850	7	5	850
	6000	2570*	6540	7220	2030*	1350*	7	5	700	800	7	5	800
	6500	2820*	7040	7720	2280*	1600*	—	—	—	—	7	5	700
	7000	3070*	7540	8220	2530*	1850*	—	—	—	—	7	5	650

NOTE: Height of standard load backrest is 1220 mm.

* with optional tire size; 6.50-10-10PR (I), plus 25 mm.

** with A4 piping, plus 155 mm.

*** Set only to a Russian specification.

8FG15

8FD15

MAIN VEHICLE SPECIFICATIONS

(January 2016)

			TOYOTA		TOYOTA			
			30-8FG15	32-8FG15	60-8FD15	62-8FD15		
1	Manufacturer		TOYOTA					
2	Model		TOYOTA					
3	Load Capacity	kg	1500		1500			
4	Load Center	mm	500		500			
5	Power Type		Gasoline		Diesel			
6	Operator Position		Rider Seated		Rider Seated			
7	Tire Type	Front/Rear	Pneumatic		Pneumatic			
8	Wheels (x = driven)	Front/Rear	2x/2		2x/2			
9	Maximum Fork Height (MFH)	mm	3000		3000			
10	Free Lift	mm	145		145			
13	Fork Size	T x W x L	35x100x1070		35x100x1070			
	Fork Spread (Outside)	MAX./MIN.	920/200		920/200			
14	Tilt Range	FWD/BWD	deg		deg			
15	Length to Fork Face	mm	2285		2285			
16	Overall Width	mm	1070		1070			
17	Mast Lowered Height	mm	1995		1995			
18	Mast Extended Height	mm	4220		4220			
19	Overhead Guard Height	mm	2080		2080			
21	Turning Radius (Outside)	mm	1990		1990			
22	Load Distance (Centerline of front axle to front face of forks)	mm	405		405			
	Rear Overhang	mm	395		395			
23	Basic Right Angle Stacking Aisle Width (Add load length and clearance)	mm	2395		2395			
24	Speeds	Travel, Max. (FWD/RVS)	Full Load	km/h	19.0/19.0	18.5/18.5	19.0/19.0	19.0/19.0 <18.0/18.0>
			No Load	km/h	19.5/19.5	19.0/19.0	19.5/19.5	19.5/19.5 <18.5/18.5>
25		Lifting	Full Load	mm/sec	610	610	650	650<650>
			No Load	mm/sec	660	660	675	675<675>
26		Lowering	Full Load	mm/sec	500	500	500	500<500>
			No Load	mm/sec	550	550	550	550<550>
28	Max. Drawbar Pull		Full Load	N (kg)	15500 (1580)	17500 (1790)	15500 (1580)	17600(1790) <16600 (1690)>
			No Load	N (kg)	6900 (700)	6300 (640)	7000 (710)	7000 (710) <7000 (710)>
	Max. Drawbar Pull at 1.5km/h *		Full Load	N (kg)	—	15700 (1600)	—	16000(1630) <14400(1470)>
29	Gradeability at 1.5 km/h *		Full Load	% (tanθ)	—	45	—	45<42>
30	Max. Gradeability *		Full Load	% (tanθ)	45	45	44	44<45>
			No Load	% (tanθ)	22	22	22	22<22>
32	Total Weight	kg	2430		2530			
33	Weight	Full Load	Front	kg	3430		3480	
			Rear	kg	500		550	
34	Distribution	No Load	Front	kg	1010		1060	
			Rear	kg	1420		1470	
35		Number	Front/Rear	2/2		2/2		
36	Tires	Size	Front	6.50-10-10PR (I)		6.50-10-10PR (I)		
			Rear	5.00-8-8PR (I)		5.00-8-8PR (I)		
38	Wheelbase	mm	1485		1485			
39	Tread	Front	mm	885		885		
		Rear	mm	895		895		
	Backrest Height	mm	1220		1220			
	Overhead Guard Clearance	mm	1055		1055			
	Counterweight Height	mm	1065		1065			
	Drawbar Pin Center Height	mm	285		285			
	Step Height/Floor Height	mm	395/635		395/635			
40	Underclearance	Min. <Mast>	mm	100		100		
41	(Full Load)	Center of Wheelbase	mm	115		115		
	Grade Clearance	Frame/Counterweight	% (tanθ)	46/46		46/46		
42	Brake	Service (Foot)	Hydraulic		Hydraulic			
43		Parking	Hand	Foot	Hand	Foot		
45	Battery	Voltage/Capacity (5HR)	V/AH	12/27		12/55		
49		Make/Model	TOYOTA/4Y		TOYOTA/1DZ-II [1DZ-III] ** <1DZ-III>***			
50	Internal Combustion Engine	Rated Power/r.p.m.	kW (JIS ps)	40/2400 (54/2400)		40 (55) /2400 [38 (52) /2400] <36(49)/2400		
51		Rated Torque/r.p.m.	N-m (JIS kg-m)	162/1800 (16.5/1800)		167 (17.0) /1600 [157 (16.0) /2300] <150(15.3)/2000>		
52		Number of Cylinder	4		4			
		Piston Displacement	cc	2237		2486		
		Fuel Tank Capacity	liter	45		45		
55	Transmission	Type	Manual	Powershift	Manual	Powershift		
		Stage	FWD/RVS	2/2	1/1	2/2/1/1	1/1	

57	Operating Pressure	For Attachments	Mpa (kg/cm ²)	11.8 (120)	11.8 (120)
----	--------------------	-----------------	---------------------------	------------	------------

NOTE: * Computed values.

** 1DZ-II: Non-road Mobile Machinery (97/68/EC; Stage II) EPA Non-road Diesel Emissions (40 CFR Part 89; Interim Tier 2).

1DZ-III: Non-road Mobile Machinery (97/68/EC; Stage IIIA) EPA Non-road Diesel Emissions (40 CFR Part 1039; Interim Tier 4).

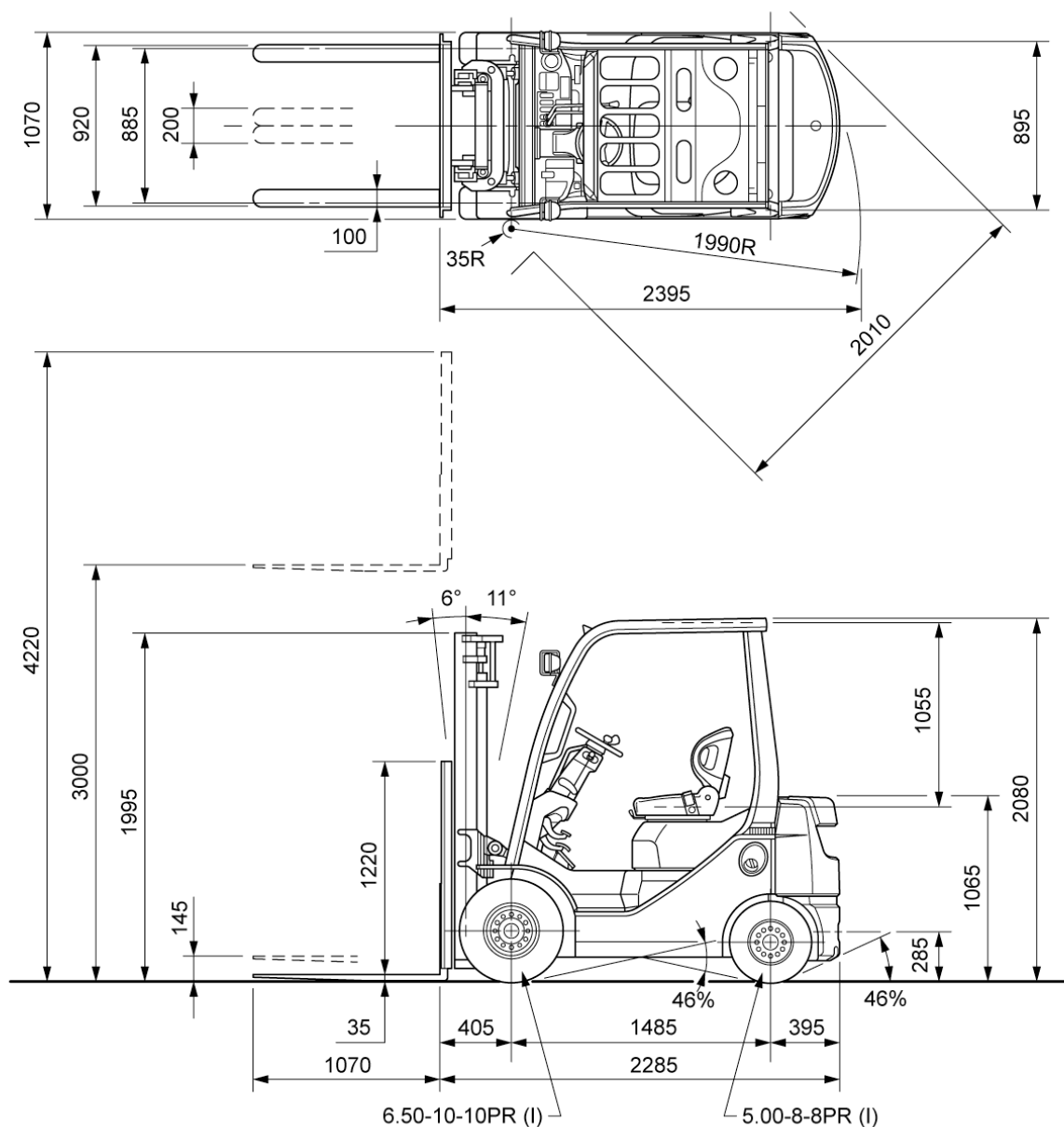
*** 1DZ-III: Non-road Mobile Machinery (GB20891-2014; Stage III, IV)

DIMENSIONAL DRAWINGS

(February 2011)

Unit: mm

8FG/8FD15



UNDERCLEARANCE

Mast (Full Load)	100
Drive Axle (Full Load)	105
Steer Axle (No Load)	120
Center of Wheelbase (Full Load)	115
Counterweight (No Load)	120

SPECIAL TREAD

(February 2011)

Model		8FG/8FD15		
Front Tire	Single/Dual	Single	Single	Dual
Front Tire Size		6.50-10-10PR (I)	21x8-9-10PR (I)	4.50-12-8PR (I)
Overall Width	mm	1070	1110	1290
Tread, Front	mm	885	920	1010

SPECIAL MAST

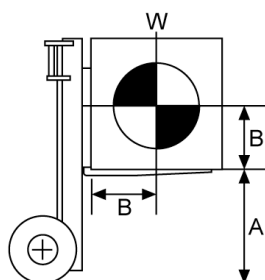
(January 2016)

Wide Visible Full-Free Lift Two-Stage Mast (FV), Wide Visible Full-Free Lift Three-Stage Mast (FSV)

Model		8FG15	8FD15<36kW>	8FG15	8FD15<36kW>		
Type of Mast		FV		FSV			
PERFORMANCE							
Speeds	Lifting	Full Load	mm/sec	565	600<580>	570	620<590>
		No Load	mm/sec	610	640<610>	615	650<630>
	Lowering	Full Load	mm/sec	480		480	
		No Load	mm/sec	420		450	
DIMENSIONS							
Load Distance (Centerline of front axle to front face of forks)		mm	405		425		

RATED CAPACITIES

(April 2009)

8FG/8FD15

A: Max. Fork Height
 B: Load Center
 W: Capacity

V, FV Mast (PN or PSC)

Unit: kg (W)

A (mm)	4000	4500	5000
B (mm)	500	1500	1300
	600	1350	1170
	700	1220	1060
B (mm)	800	1120	970
	900	1040	900
	1000	960	830
	1100	900	780
	1200	840	730

FSV Mast (PN)

Unit: kg (W)

A (mm)	4300	4500	4700	5000	5500	6000	6500	7000	
B (mm)	500	1400	1350	1350	1250 [1300]	950 [1250]	700 [1100]	— [900]	— [650]
	600	1260	1210	1210	1120 [1170]	850 [1120]	630 [990]	— [810]	— [580]
	700	1150	1110	1110	1020 [1060]	780 [1020]	570 [900]	— [740]	— [530]
	800	1050	1020	1020	940 [980]	710 [940]	520 [830]	— [680]	— [490]
	900	970	940	940	870 [900]	660 [870]	480 [760]	— [620]	— [450]
	1000	910	870	870	810 [840]	610 [810]	450 [710]	— [580]	— [420]
	1100	850	820	820	750 [790]	570 [750]	420 [660]	— [540]	— [390]
	1200	790	770	770	710 [740]	540 [710]	390 [620]	— [510]	— [370]

[] for dual tire models (PN or PSC).

FSV Mast (PSC)

Unit: kg (W)

A (mm)	5000	5500	6000
B (mm)	500	1300	800
	600	1170	720
	700	1060	650
B (mm)	800	980	600
	900	900	550
	1000	840	520
	1100	790	480
	1200	740	450

MAST SPECIFICATIONS & RATED CAPACITIES

(April 2009)

Wide Visible Mast (V), Wide Visible Full-Free Lift Two-Stage Mast (FV), Wide Visible Full-Free Lift Three-Stage Mast (FSV)

8FG/8FD15

Mast Type	Maximum Fork Height	Overall Height			Free Lift		Single Tire				Dual Tire		
		Lowered	Extended		Without Load Backrest	With Standard Load Backrest	Tilt Range		Load Capacity at 500 mm LC		Tilt Range		Load Capacity at 500 mm LC
			Without Load Backrest	With Standard Load Backrest			FWD	BWD	Pneumatic Tire	Pneumatic-Shaped Cushion Tire	FWD	BWD	
V	2700	1845	3150*	3920	145	145	6	11	1500	1500	7	10	1500
	3000	1995	3450*	4220	145	145	6	11	1500	1500	7	10	1500
	3300	2145	3750*	4520	145	145	6	11	1500	1500	7	10	1500
	3500	2245	3950*	4720	145	145	6	11	1500	1500	7	10	1500
	3700	2405	4150*	4920	145	145	6	11	1500	1500	7	10	1500
	4000	2595	4450*	5220	145	145	6	11	1500	1500	7	10	1500
	4500	2845	4950*	5720	145	145	6	6	1450	1450	7	10	1450
FV	5000	3095	5450*	6220	145	145	6	6	1300	1300	7	5	1300
	2870***	1930	3440	4090	1365	715	6	11	1500	1500	7	10	1500
	3000	1995	3570	4220	1430	780	6	11	1500	1500	7	10	1500
	3300	2145	3870	4520	1580	930	6	11	1500	1500	7	10	1500
	3500	2245	4070	4720	1680	1030	6	11	1500	1500	7	10	1500
	3700	2405	4270	4920	1840	1190	6	11	1500	1500	7	10	1500
	4000	2595	4570	5220	2030	1380	6	11	1500	1500	7	10	1500
FSV	3700	1795	4240	4920	1260	580	6	6	1400	1400	7	5	1400
	4000	1895	4540	5220	1360	680	6	6	1400	1400	7	5	1400
	4300	1995	4840	5520	1460	780	6	6	1400	1400	7	5	1400
	4500	2065	5040	5720	1530	850	6	6	1350	1350	7	5	1350
	4700	2145	5240	5920	1610	930	6	6	1350	1350	7	5	1350
	5000	2245	5540	6220	1710	1030	6	6	1250	1300	7	5	1300
	5500	2405	6040	6720	1870	1190	6	6	950	1050	7	5	1250
	6000	2595	6540	7220	2060	1380	6	6	700	800	7	5	1100
	6500	2845	7040	7720	2310	1630	—	—	—	—	7	5	900
7000	3095	7540	8220	2560	1880	—	—	—	—	7	5	650	

NOTE: Height of standard load backrest is 1220 mm.

* with A4 piping, plus 155 mm.

** Set only to a Russian specification.

8FG18

8FD18

MAIN VEHICLE SPECIFICATIONS

(January 2016)

1	Manufacturer			TOYOTA		TOYOTA
2	Model			32-8FG18		62-8FD18
3	Load Capacity		kg	1750		1750
4	Load Center		mm	500		500
5	Power Type			Gasoline		Diesel
6	Operator Position			Rider Seated		Rider Seated
7	Tire Type		Front/Rear	Pneumatic		Pneumatic
8	Wheels (x = driven)		Front/Rear	2x/2		2x/2
9	Maximum Fork Height (MFH)		mm	3000		3000
10	Free Lift		mm	145		145
13	Fork Size		T x W x L	35x100x1070		35x100x1070
	Fork Spread (Outside)		MAX./MIN.	920/200		920/200
14	Tilt Range		FWD/ BWD	deg	6/11	6/11
15	Length to Fork Face		mm	2310		2310
16	Overall Width		mm	1070		1070
17	Mast Lowered Height		mm	1995		1995
18	Mast Extended Height		mm	4220		4220
19	Overhead Guard Height		mm	2080		2080
21	Turning Radius (Outside)		mm	2010		2010
22	Load Distance (Centerline of front axle to front face of forks)		mm	405		405
	Rear Overhang		mm	420		420
23	Basic Right Angle Stacking Aisle Width (Add load length and clearance)		mm	2415		2415
24		Travel, Max. (FWD/RVS)	Full Load	km/h	18.5/18.5	19.0/19.0
			No Load	km/h	19.0/19.0	19.5/19.5
25	Speeds	Lifting	Full Load	mm/sec	610	650
			No Load	mm/sec	660	675
26		Lowering	Full Load	mm/sec	500	500
			No Load	mm/sec	550	550
28	Max. Drawbar Pull		Full Load	N (kg)	17500 (1790)	17600 (1790)
			No Load	N (kg)	6300 (640)	6300 (640)
	Max. Drawbar Pull at 1.5km/h *		Full Load	N (kg)	15600 (1590)	16000 (1630)
29	Gradeability at 1.5 km/h *		Full Load	% (tanθ)	40	40
30	Max. Gradeability *		Full Load	% (tanθ)	45	44
			No Load	% (tanθ)	20	20
32	Total Weight		kg	2610		2710
33	Weight Distribution	Full Load	Front	kg	3790	3910
			Rear	kg	570	550
34		No Load	Front	kg	970	1090
			Rear	kg	1640	1620
35	Tires	Number	Front/Rear		2/2	2/2
36		Size	Front		6.50-10-10PR (I)	6.50-10-10PR (I)
37	Rear			5.00-8-8PR (I)	5.00-8-8PR (I)	
38	Wheelbase		mm	1485		1485
39	Tread		Front	mm	885	885
			Rear	mm	895	895
	Backrest Height		mm	1220		1220
	Overhead Guard Clearance		mm	1055		1055
	Counterweight Height		mm	1060		1060
	Drawbar Pin Center Height		mm	285		285
	Step Height/Floor Height		mm	395/635		395/635
40	Underclearance	Min. <Mast>	mm	100		100
41	(Full Load)	Center of Wheelbase	mm	115		115
	Grade Clearance	Frame/Counterweight	% (tanθ)	46/42		46/42
42	Brake	Service (Foot)		Hydraulic		Hydraulic
43		Parking		Foot		Foot
45	Battery		V/AH	12/27		12/55
49	Make/Model			TOYOTA/4Y		TOYOTA/1DZ-II [1DZ-III] ** <1DZ-III>***
50	Internal Combustion Engine	Rated Power/r.p.m.	kW (JIS ps)	40/2400 (54/2400)		40 (55) /2400 [38 (52) /2400]<36(49)/2400>
51		Rated Torque/r.p.m.	N-m (JIS kg-m)	162/1800 (16.5/1800)		167 (17.0) /1600 [157 (16.0) /2300]<150(15.3)/2000>
52		Number of Cylinder		4		4
		Piston Displacement	cc	2237		2486
	Fuel Tank Capacity		liter	45		45
55	Transmission	Type		Powershift		Powershift
		Stage	FWD/RVS		1/1	
57	Operating Pressure	For Attachments	Mpa (kg/cm ²)	11.8 (120)		11.8 (120)

NOTE: * Computed values.

** 1DZ-II: Non-road Mobile Machinery (97/68/EC; Stage II) EPA Non-road Diesel Emissions (40 CFR Part 89; Interim Tier 2).

1DZ-III: Non-road Mobile Machinery (97/68/EC; Stage IIIA) EPA Non-road Diesel Emissions (40 CFR Part 1039; Interim Tier 4).

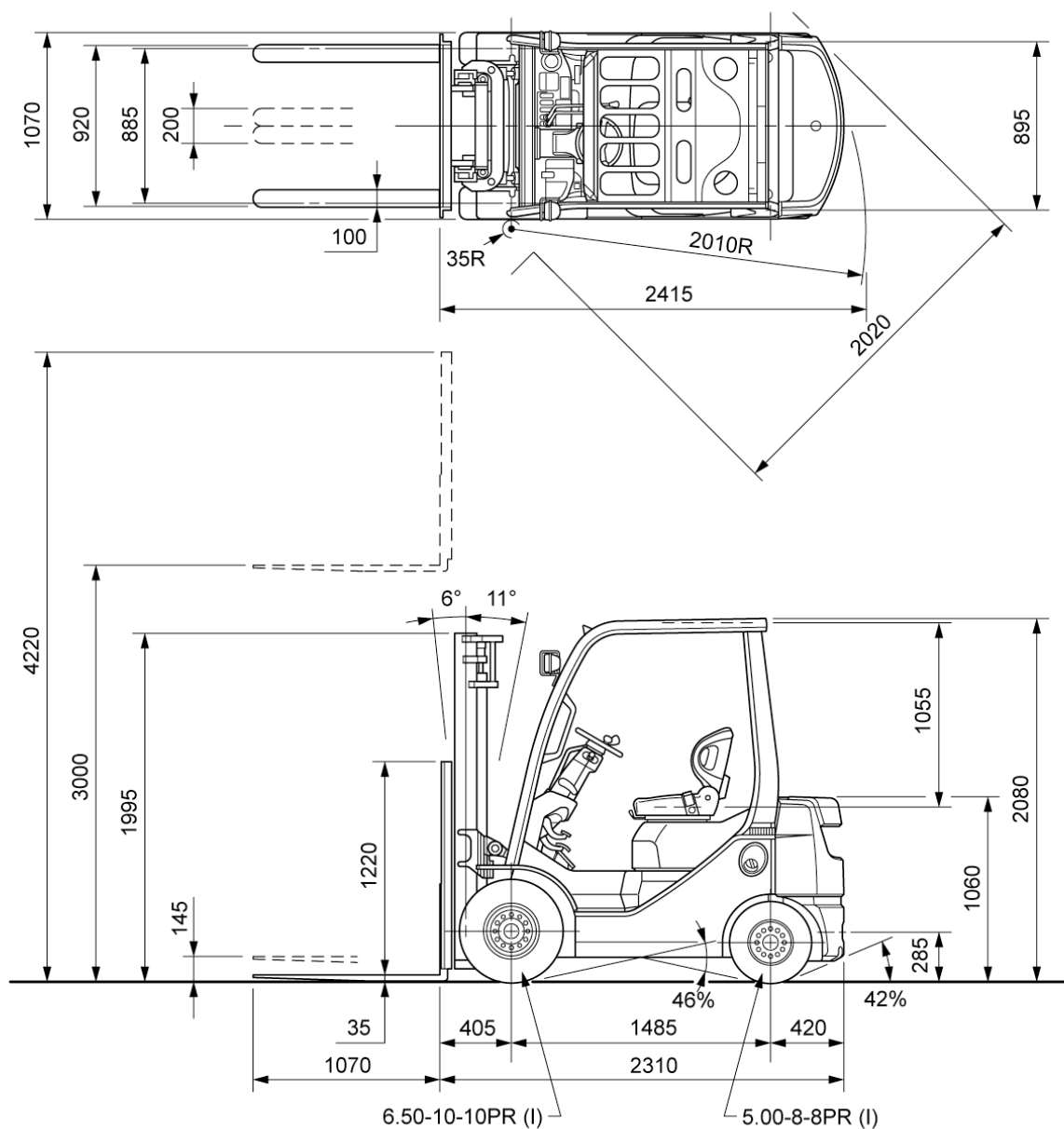
*** 1DZ-III: Non-road Mobile Machinery (GB20891-2014; Stagell,IV)

DIMENSIONAL DRAWINGS

(February 2011)

Unit: mm

8FG/8FD18



UNDERCLEARANCE

Mast (Full Load)	100
Drive Axle (Full Load)	105
Steer Axle (No Load)	120
Center of Wheelbase (Full Load)	115
Counterweight (No Load)	120

SPECIAL TREAD

(February 2011)

Model		8FG/8FD18		
Front Tire	Single/Dual	Single	Single	Dual
Front Tire Size		6.50-10-10PR (I)	21x8-9-10PR (I)	4.50-12-8PR (I)
Overall Width	mm	1070	1110	1290
Tread, Front	mm	885	920	1010

SPECIAL MAST

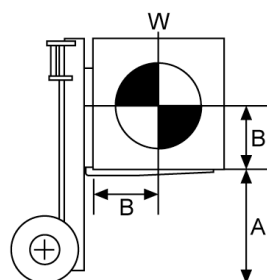
(January 2016)

Wide Visible Full-Free Lift Two-Stage Mast (FV), Wide Visible Full-Free Lift Three-Stage Mast (FSV)

Model	8FG18	8FD18<36kW>	8FG18	8FD18<36kW>			
Type of Mast		FV		FSV			
PERFORMANCE							
Speeds	Lifting	Full Load	mm/sec	565	600<580>	570	620<590>
		No Load	mm/sec	610	640<610>	615	650<630>
	Lowering	Full Load	mm/sec		480		480
		No Load	mm/sec		420		450
DIMENSIONS							
Load Distance (Centerline of front axle to front face of forks)	mm			405			425

RATED CAPACITIES

(April 2009)

8FG/8FD18

A: Max. Fork Height
B: Load Center
W: Capacity

V, FV Mast (PN or PSC)

Unit: kg (W)

A (mm)	3700	4000	4500	5000
500	1750	1700	1600	1550
	600	1570	1530	1440
	700	1430	1390	1310
B (mm)	800	1310	1270	1200
	900	1210	1180	1110
	1000	1120	1090	1030
	1100	1050	1020	960
	1200	980	960	900

FSV Mast (PN)

Unit: kg (W)

A (mm)	4000	4300	4500	4700	5000	5500	6000	6500	7000
B (mm)	500	1600	1550	1500	1450	1100 [1400]	850 [1200]	— [850]	— [600]
		600	1440	1390	1350	1300	990 [1260]	760 [1080]	— [760]
	700	1310	1270	1230	1190	900 [1150]	690 [980]	— [690]	
	800	1200	1170	1130	1090	830 [1050]	640 [900]	— [640]	
	900	1110	1080	1040	1010	760 [970]	590 [830]	— [590]	
	1000	1040	1000	970	940	710 [910]	550 [780]	— [550]	
	1100	970	940	910	880	660 [850]	510 [720]	— [510]	
	1200	910	880	850	820	620 [790]	480 [680]	— [480]	

[] for dual tire models (PN or PSC).

FSV Mast (PSC)

Unit: kg (W)

A (mm)	5500	6000
500	1200	950
	600	1080
	700	980
B (mm)	800	900
	900	830
	1000	780
	1100	720
	1200	680

MAST SPECIFICATIONS & RATED CAPACITIES

(April 2009)

Wide Visible Mast (V), Wide Visible Full-Free Lift Two-Stage Mast (FV), Wide Visible Full-Free Lift Three-Stage Mast (FSV)

8FG/8FD18

Mast Type	Maximum Fork Height	Overall Height			Free Lift		Single Tire				Dual Tire		
		Lowered	Extended		Without Load Backrest	With Standard Load Backrest	Tilt Range		Load Capacity at 500 mm LC		Tilt Range		Load Capacity at 500 mm LC
			Without Load Backrest	With Standard Load Backrest			FWD	BWD	Pneumatic Tire	Pneumatic-Shaped Cushion Tire	FWD	BWD	Pneumatic Tire/ Pneumatic-Shaped Cushion Tire
V	2700	1845	3330*	3920	145	145	6	11	1750	1750	7	10	1750
	3000	1995	3630*	4220	145	145	6	11	1750	1750	7	10	1750
	3300	2145	3930*	4520	145	145	6	11	1750	1750	7	10	1750
	3500	2245	4130*	4720	145	145	6	11	1750	1750	7	10	1750
	3700	2405	4330*	4920	145	145	6	11	1750	1750	7	10	1750
	4000	2595	4630*	5220	145	145	6	11	1700	1700	7	10	1700
	4500	2845	5130*	5720	145	145	6	6	1600	1600	7	10	1600
FV	5000	3095	5630*	6220	145	145	6	6	1550	1550	7	5	1550
	2870***	1930	3440	4090	1365	715	6	11	1750	1750	7	10	1750
	3000	1995	3570	4220	1430	780	6	11	1750	1750	7	10	1750
	3300	2145	3870	4520	1580	930	6	11	1750	1750	7	10	1750
	3500	2245	4070	4720	1680	1030	6	11	1750	1750	7	10	1750
	3700	2405	4270	4920	1840	1190	6	11	1750	1750	7	10	1750
	4000	2595	4570	5220	2030	1380	6	11	1700	1700	7	10	1700
FSV	3700	1795	4240	4920	1260	580	6	6	1600	1600	7	5	1600
	4000	1895	4540	5220	1360	680	6	6	1600	1600	7	5	1600
	4300	1995	4840	5520	1460	780	6	6	1550	1550	7	5	1550
	4500	2065	5040	5720	1530	850	6	6	1500	1500	7	5	1500
	4700	2145	5240	5920	1610	930	6	6	1500	1500	7	5	1500
	5000	2245	5540	6220	1710	1030	6	6	1450	1450	7	5	1450
	5500	2405	6040	6720	1870	1190	6	6	1100	1200	7	5	1400
	6000	2595	6540	7220	2060	1380	6	6	850	950	7	5	1200
	6500	2845	7040	7720	2310	1630	—	—	—	—	7	5	850
7000	3095	7540	8220	2560	1880	—	—	—	—	7	5	600	

NOTE: Height of standard load backrest is 1220 mm.

* with A4 piping, minus 15 mm.

** Set only to a Russian specification.

8FGK20

8FDK20

MAIN VEHICLE SPECIFICATIONS

(May 2009)

1	Manufacturer			TOYOTA	TOYOTA
2	Model			32-8FGK20	62-8FDK20
3	Load Capacity		kg	2000	2000
4	Load Center		mm	500	500
5	Power Type			Gasoline	Diesel
6	Operator Position			Rider Seated	Rider Seated
7	Tire Type		Front/Rear	Pneumatic	Pneumatic
8	Wheels (x = driven)		Front/Rear	2x/2	2x/2
9	Maximum Fork Height (MFH)		mm	3000	3000
10	Free Lift		mm	125	125
13	Fork Size		T x W x L	38x120x1070	38x120x1070
	Fork Spread (Outside)		MAX./MIN.	1020/240	1020/240
14	Tilt Range		FWD/BWD	deg	7/10
15	Length to Fork Face			mm	2360
16	Overall Width			mm	1155
17	Mast Lowered Height			mm	1975
18	Mast Extended Height			mm	4220
19	Overhead Guard Height			mm	2085
21	Turning Radius (Outside)			mm	2040
22	Load Distance (Centerline of front axle to front face of forks)		mm	420 (430) **	420 (430) **
	Rear Overhang		mm	455	455
23	Basic Right Angle Stacking Aisle Width (Add load length and clearance)		mm	2460	2460
24		Travel, Max. (FWD/RVS)	Full Load	km/h	17.0/17.0
			No Load	km/h	17.5/17.5
25	Speeds	Lifting	Full Load	mm/sec	600
			No Load	mm/sec	640
26		Lowering	Full Load	mm/sec	500
			No Load	mm/sec	550
28	Max. Drawbar Pull		Full Load	N (kg)	19000 (1940)
			No Load	N (kg)	7800 (800)
	Max. Drawbar Pull at 1.5km/h *		Full Load	N (kg)	17400 (1770)
29	Gradeability at 1.5 km/h *		Full Load	% (tanθ)	35
30	Max. Gradeability *		Full Load	% (tanθ)	39
			No Load	% (tanθ)	20
32	Total Weight			kg	3110
33	Weight Distribution	Full Load	Front	kg	4440
			Rear	kg	670
34		No Load	Front	kg	1140
			Rear	kg	1970
35	Tires		Number	Front/Rear	2/2
36			Size	Front	21x8-9-14PR (I)
37				Rear	18x7-8-10PR (I)
38	Wheelbase			mm	1485
39	Tread		Front	mm	960
			Rear	mm	940
	Backrest Height			mm	1220
	Overhead Guard Clearance			mm	1055
	Counterweight Height			mm	1215
	Drawbar Pin Center Height			mm	285
	Step Height/Floor Height			mm	380/615
40	Underclearance	Min. <Mast>		mm	80
41	(Full Load)	Center of Wheelbase		mm	105
	Grade Clearance	Frame/Counterweight		% (tanθ)	40/38
42	Brake	Service (Foot)			Hydraulic
43		Parking			Foot
45	Battery	Voltage/Capacity (5HR)	V/AH		12/27
49		Make/Model			TOYOTA/4Y
50	Internal Combustion Engine	Rated Power/r.p.m.	kW (JIS ps)		40/2400 (54/2400)
51		Rated Torque/r.p.m.	N-m (JIS kg-m)		162/1800 (16.5/1800)
52			Number of Cylinder		4
			Piston Displacement	cc	2237
			Fuel Tank Capacity	liter	55
55	Transmission		Type		Powershift
			Stage	FWD/RVS	1/1
57	Operating Pressure		For Attachments	Mpa (kg/cm ²)	15.7 (160)

NOTE: * Computed values.

** Number shown in () is when the forkbar width is other than 1020 mm.

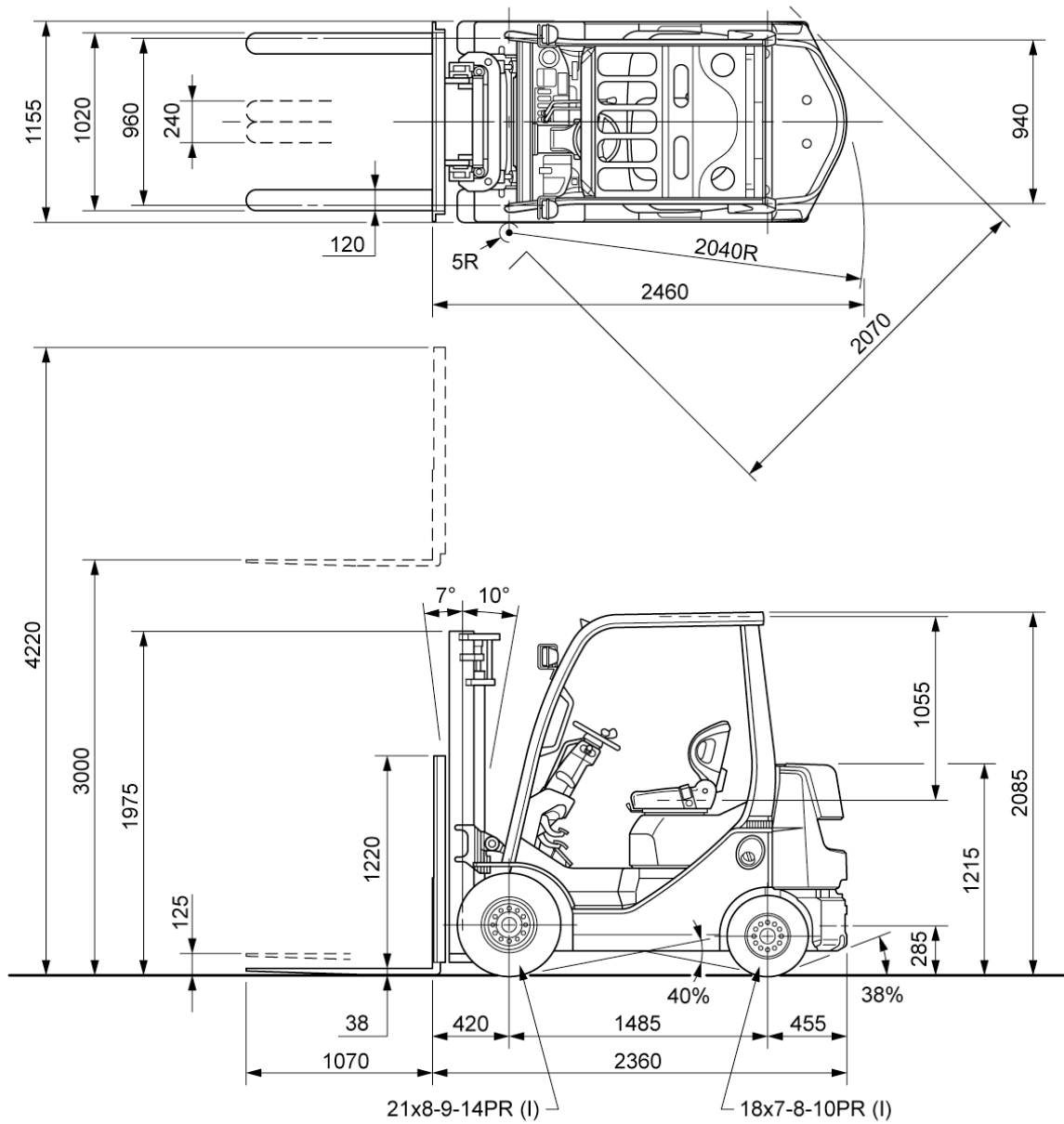
*** 1DZ-II: Non-road Mobile Machinery (97/68/EC; Stage II) EPA Non-road Diesel Emissions (40 CFR Part 89; Interim Tier 2).

DIMENSIONAL DRAWINGS

(February 2011)

Unit: mm

8FGK/8FDK20



UNDERCLEARANCE

Mast (Full Load)-----	80
Drive Axle (Full Load)-----	85
Steer Axle (No Load)-----	130
Center of Wheelbase (Full Load)-----	105
Counterweight (No Load)-----	125

SPECIAL MAST

(February 2011)

Wide Visible Full-Free Lift Two-Stage Mast (FV), Wide Visible Full-Free Lift Three-Stage Mast (FSV)

Model	8FGK20	8FDK20	8FGK20	8FDK20
Type of Mast	FV		FSV	

PERFORMANCE

Speeds	Lifting	Full Load	mm/sec	560	550	560	550
		No Load	mm/sec	600	585	600	575
	Lowering	Full Load	mm/sec	480		480	
		No Load	mm/sec	420		450	

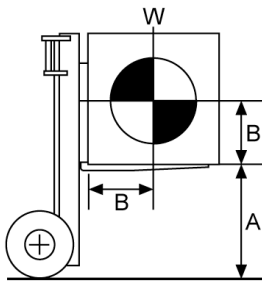
DIMENSIONS

Load Distance (Centerline of front axle to front face of forks)	mm	430	450 (455) *
--	----	-----	-------------

NOTE: * Number shown in () is when the forkbar width is other than 1020 mm.

RATED CAPACITIES

(April 2009)

8FGK/8FDK20

A: Max. Fork Height
B: Load Center
W: Capacity

V, FV Mast (PN)

Unit: kg (W)

A (mm)	4000	4500	5000
500	2000	1950	1850
600	1800	1760	1670
700	1640	1600	1520
B (mm)	800	1510	1470
	900	1400	1360
	1000	1300	1270
	1100	1220	1190
	1200	1140	1060

V, FV Mast (PSC)

Unit: kg (W)

A (mm)	4000	4500	5000
500	2000	2000	2000
600	1800	1800	1800
700	1640	1640	1640
B (mm)	800	1510	1510
	900	1400	1400
	1000	1300	1300
	1100	1220	1220
	1200	1140	1140

FSV Mast (PN)

Unit: kg (W)

A (mm)	3700	4000	4300	4500	4700	5000	5500	6000
500	2000	1950	1900	1850	1850	1450	1200	850
600	1810	1760	1720	1670	1670	1310	1080	760
700	1650	1610	1570	1530	1530	1200	990	700
B (mm)	800	1520	1480	1440	1400	1400	1100	910
900	1410	1370	1340	1300	1300	1020	840	600
1000	1310	1280	1240	1210	1210	950	780	550
1100	1230	1200	1160	1130	1130	890	730	520
1200	1150	1120	1090	1060	1060	830	690	490

FSV Mast (PSC)

Unit: kg (W)

A (mm)	4700	5000	5500	6000
500	2000	1600	1350	1000
600	1810	1440	1220	900
700	1650	1320	1110	820
B (mm)	800	1520	1210	760
900	1410	1120	950	700
1000	1310	1050	880	650
1100	1230	980	830	610
1200	1150	920	780	570

MAST SPECIFICATIONS & RATED CAPACITIES

(April 2009)

Wide Visible Mast (V), Wide Visible Full-Free Lift Two-Stage Mast (FV), Wide Visible Full-Free Lift Three-Stage Mast (FSV)

8FGK/8FDK20

Mast Type	Maximum Fork Height	Overall Height			Free Lift		Single Tire			
		Lowered	Extended		Without Load Backrest	With Standard Load Backrest	Tilt Range		Load Capacity at 500 mm LC	
			Without Load Backrest	With Standard Load Backrest			FWD	BWD	Pneumatic Tire	Pneumatic-Shaped Cushion Tire
mm	mm	mm	mm	mm	mm	deg	deg	kg	kg	
V	2700	1825	3375	3920	120	120	7	10	2000	2000
	3000	1975	3675	4220	120	120	7	10	2000	2000
	3300	2125	3975	4520	120	120	7	10	2000	2000
	3500	2225	4175	4720	120	120	7	10	2000	2000
	3700	2385	4375	4920	120	120	7	10	2000	2000
	4000	2575	4675	5220	120	120	7	10	2000	2000
	4500	2825	5175	5720	120	120	7	5	1950	2000
FV	5000	3075	5675	6220	120	120	7	5	1850	2000
	3000	1975	3610	4220	1365	760	7	10	2000	2000
	3300	2125	3910	4520	1515	910	7	10	2000	2000
	3500	2225	4110	4720	1615	1010	7	10	2000	2000
	3700	2385	4310	4920	1775	1170	7	10	2000	2000
FSV	4000	2575	4610	5220	1965	1360	7	10	2000	2000
	3700	1775	4350	4920	1125	560	7	5	2000	2000
	4000	1875	4650	5220	1225	660	7	5	1950	2000
	4300	1975	4950	5520	1325	760	7	5	1900	2000
	4500	2045	5150	5720	1395	830	7	5	1850	2000
	4700	2125	5350	5920	1475	910	7	5	1850	2000
	5000	2225	5650	6220	1575	1010	7	5	1450	1600
	5500	2385	6150	6720	1735	1170	7	5	1200	1350
6000	2575	6650	7220	1925	1360	7	5	850	1000	

NOTE: Height of standard load backrest is 1220 mm.

8FG20

8FD20

MAIN VEHICLE SPECIFICATIONS

(January 2016)

			TOYOTA		TOYOTA			
			30-8FG20	32-8FG20	60-8FD20	62-8FD20		
1	Manufacturer		TOYOTA					
2	Model		TOYOTA					
3	Load Capacity	kg	2000		2000			
4	Load Center	mm	500		500			
5	Power Type		Gasoline		Diesel			
6	Operator Position		Rider Seated		Rider Seated			
7	Tire Type	Front/Rear	Pneumatic		Pneumatic			
8	Wheels (x = driven)	Front/Rear	2x/2		2x/2			
9	Maximum Fork Height (MFH)	mm	3000		3000			
10	Free Lift	mm	150		150			
13	Fork Size	T x W x L	38x120x1070		38x120x1070			
	Fork Spread (Outside)	MAX./MIN.	1020/240		1020/240			
14	Tilt Range	FWD/BWD	deg		deg			
15	Length to Fork Face	mm	2550		2550			
16	Overall Width	mm	1150		1150			
17	Mast Lowered Height	mm	1995		1995			
18	Mast Extended Height	mm	4220		4220			
19	Overhead Guard Height	mm	2110		2110			
21	Turning Radius (Outside)	mm	2200		2200			
22	Load Distance (Centerline of front axle to front face of forks)	mm	445 (455) **		445 (455) **			
	Rear Overhang	mm	455		455			
23	Basic Right Angle Stacking Aisle Width (Add load length and clearance)	mm	2645		2645			
24	Speeds	Travel, Max. (FWD/RVS)	Full Load	km/h	18.0/18.0	17.5/17.5	19.5/19.5	19.0/19.0 <17.0/17.0>
			No Load	km/h	18.5/18.5	18.0/18.0	20.0/20.0	19.5/19.5 <17.5/17.5>
25	Lifting	Full Load	mm/sec	600	600	615	615<560>	
			No Load	mm/sec	640	640	655	655<600>
26	Lowering	Full Load	mm/sec	500	500	500	500<500>	
			No Load	mm/sec	500	550	500	500<500>
28	Max. Drawbar Pull	Full Load	N (kg)	16500 (1680)	18700 (1910)	17500 (1780)	18600 (1900) <17400(1770)>	
			No Load	N (kg)	9000 (920)	9000 (920)	9100 (930)	9100 (930) <9100 (930)>
	Max. Drawbar Pull at 1.5km/h *	Full Load	N (kg)	—	17200 (1750)	—	16900 (1720) <15000(1530)>	
29	Gradeability at 1.5 km/h *	Full Load	% (tanθ)	—	37	—	32<32>	
30	Max. Gradeability *	Full Load	% (tanθ)	33	41	33	36<36>	
			No Load	% (tanθ)	22	22	22	22<22>
32	Total Weight	kg	3250		3250			
33	Weight Distribution	Full Load	Front	kg	4580	4600		
			Rear	kg	670	690		
34	No Load	Front	kg	1410	1430			
			Rear	kg	1840	1860		
35	Tires	Number	Front/Rear	2/2		2/2		
			Size	Front	7.00-12-12PR (I)		7.00-12-12PR (I)	
	Rear	6.00-9-10PR (I)		6.00-9-10PR (I)				
38	Wheelbase	mm	1650		1650			
39	Tread	Front	mm	960		960		
		Rear	mm	965		965		
	Backrest Height	mm	1220		1220			
	Overhead Guard Clearance	mm	1055		1055			
	Counterweight Height	mm	1095		1095			
	Drawbar Pin Center Height	mm	310		310			
	Step Height/Floor Height	mm	435/675		435/675			
40	Underclearance	Min. <Mast>	mm	95		95		
41	(Full Load)	Center of Wheelbase	mm	140		140		
	Grade Clearance	Frame/Counterweight	% (tanθ)	51/49		51/49		
42	Brake	Service (Foot)	Hydraulic		Hydraulic			
43		Parking	Hand	Foot	Hand	Foot		
45	Battery	Voltage/Capacity (5HR)	V/AH	12/27		12/55		
49	Internal Combustion Engine	Make/Model	TOYOTA/4Y		TOYOTA/1DZ-II [1DZ-III] *** <1DZ-III>****			
50		Rated Power/r.p.m.	kW (JIS ps)	40/2400 (54/2400)		44 (60) /2600 [41 (55) /2500] <36(49)/2400>		
51		Rated Torque/r.p.m.	N-m (JIS kg-m)	162/1800 (16.5/1800)		167 (17.0) /1600 [157 (16.0) /2500] <150(15.3)/2000>		
52		Number of Cylinder	4		4			
		Piston Displacement	cc	2237		2486		
	Fuel Tank Capacity	liter	60		60			
55	Transmission	Type	Manual	Powershift	Manual	Powershift		
		Stage	FWD/RVS	2/2	1/1	2/2	1/1	
57	Operating Pressure	For Attachments	Mpa (kg/cm ²)	15.7 (160)		15.7 (160)		

-
- NOTE: * Computed values.
** Number shown in () is when the forkbar width is other than 1020 mm.
*** 1DZ-II: Non-road Mobile Machinery (97/68/EC; Stage II) EPA Non-road Diesel Emissions (40 CFR Part 89; Interim Tier 2).
1DZ-III: Non-road Mobile Machinery (97/68/EC; Stage IIIA) EPA Non-road Diesel Emissions (40 CFR Part 1039; Interim Tier 4).
**** 1DZ-III: Non-road Mobile Machinery (GB20891-2014; Stage III, IV)

MAIN VEHICLE SPECIFICATIONS

(March 2016)

				TOYOTA		TOYOTA
				70-8FD20	72-8FD20	82-8FD20
1	Manufacturer					TOYOTA
2	Model			70-8FD20	72-8FD20	82-8FD20
3	Load Capacity	kg		2000		2000
4	Load Center	mm		500		500
5	Power Type			Diesel		Diesel
6	Operator Position			Rider Seated		Rider Seated
7	Tire Type	Front/Rear		Pneumatic		Pneumatic
8	Wheels (x = driven)	Front/Rear		2x/2		2x/2
9	Maximum Fork Height (MFH)	mm		3000		3000
10	Free Lift	mm		150		150
13	Fork Size	T x W x L		38x120x1070		38x120x1070
	Fork Spread (Outside)	MAX./MIN.		1020/240		1020/240
14	Tilt Range	FWD/BWD		deg		6/11
15	Length to Fork Face	mm		2550		2550
16	Overall Width	mm		1150		1150
17	Mast Lowered Height	mm		1995		1995
18	Mast Extended Height	mm		4220		4220
19	Overhead Guard Height	mm		2110		2110
21	Turning Radius (Outside)	mm		2200		2200
22	Load Distance (Centerline of front axle to front face of forks)	mm		445 (455) **		445 (455) **
	Rear Overhang	mm		455		455
23	Basic Right Angle Stacking Aisle Width (Add load length and clearance)	mm		2645		2645
24	Travel, Max. (FWD/RVS)	Full Load	km/h	19.0/19.0	19.0/19.0	19.0/19.0
		No Load	km/h	19.5/19.5	19.5/19.5	19.5/19.5
25	Speeds	Lifting	Full Load	mm/sec	650	650
		No Load	mm/sec	675	675	675
26	Lowering	Full Load	mm/sec	500	500	500
		No Load	mm/sec	500	500	500
28	Max. Drawbar Pull	Full Load	N (kg)	19500 (1990)	20000 (2040)	20000 (2040)
		No Load	N (kg)	9200 (940)	9200 (940)	9200 (940)
	Max. Drawbar Pull at 1.5km/h *	Full Load	N (kg)	—	17500 (1780)	17500 (1780)
29	Gradeability at 1.5 km/h *	Full Load	% (tanθ)	—	34	34
30	Max. Gradeability *	Full Load	% (tanθ)	38	38	38
		No Load	% (tanθ)	22	22	22
32	Total Weight	kg		3340		3340
33	Weight Distribution	Full Load	Front	kg	4620	4620
		Rear	kg	720	720	
34	No Load	Front	kg	1450	1450	
		Rear	kg	1890	1890	
35	Number	Front/Rear		2/2		2/2
36	Tires	Front	7.00-12-12PR (I)		7.00-12-12PR (I)	
		Rear	6.00-9-10PR (I)		6.00-9-10PR (I)	
38	Wheelbase	mm		1650		1650
39	Tread	Front	mm	960	960	
		Rear	mm	965	965	
	Backrest Height	mm		1220		1220
	Overhead Guard Clearance	mm		1055		1055
	Counterweight Height	mm		1095		1095
	Drawbar Pin Center Height	mm		310		310
	Step Height/Floor Height	mm		435/675		435/675
40	Underclearance	Min. <Mast>		mm		95
41	(Full Load)	Center of Wheelbase		mm		140
	Grade Clearance	Frame/Counterweight		% (tanθ)		51/49
42	Service (Foot)			Hydraulic		Hydraulic
43	Brake	Parking		Hand	Foot	Foot
45	Battery	Voltage/Capacity (5HR)		V/AH		12/64
49	Make/Model			TOYOTA/2Z ***		TOYOTA/3Z
50	Rated Power/r.p.m.	kW (JIS ps)		49/2200 (66/2200)		42/2200 (57/2200)
51	Rated Torque/r.p.m.	N-m (JIS kg-m)		216/1600 (22.0/1600)		200/1600 (20.4/1600)
52	Internal Combustion Engine	Number of Cylinder		4		4
		Piston Displacement		cc		3469
		Fuel Tank Capacity		liter		60
55	Transmission	Type		Manual	Powershift	Powershift
		Stage		FWD/RVS	2/2	1/1
57	Operating Pressure	For Attachments		Mpa (kg/cm ²)		15.7 (160)

NOTE: * Computed values.

** Number shown in () is when the forkbar width is other than 1020 mm.

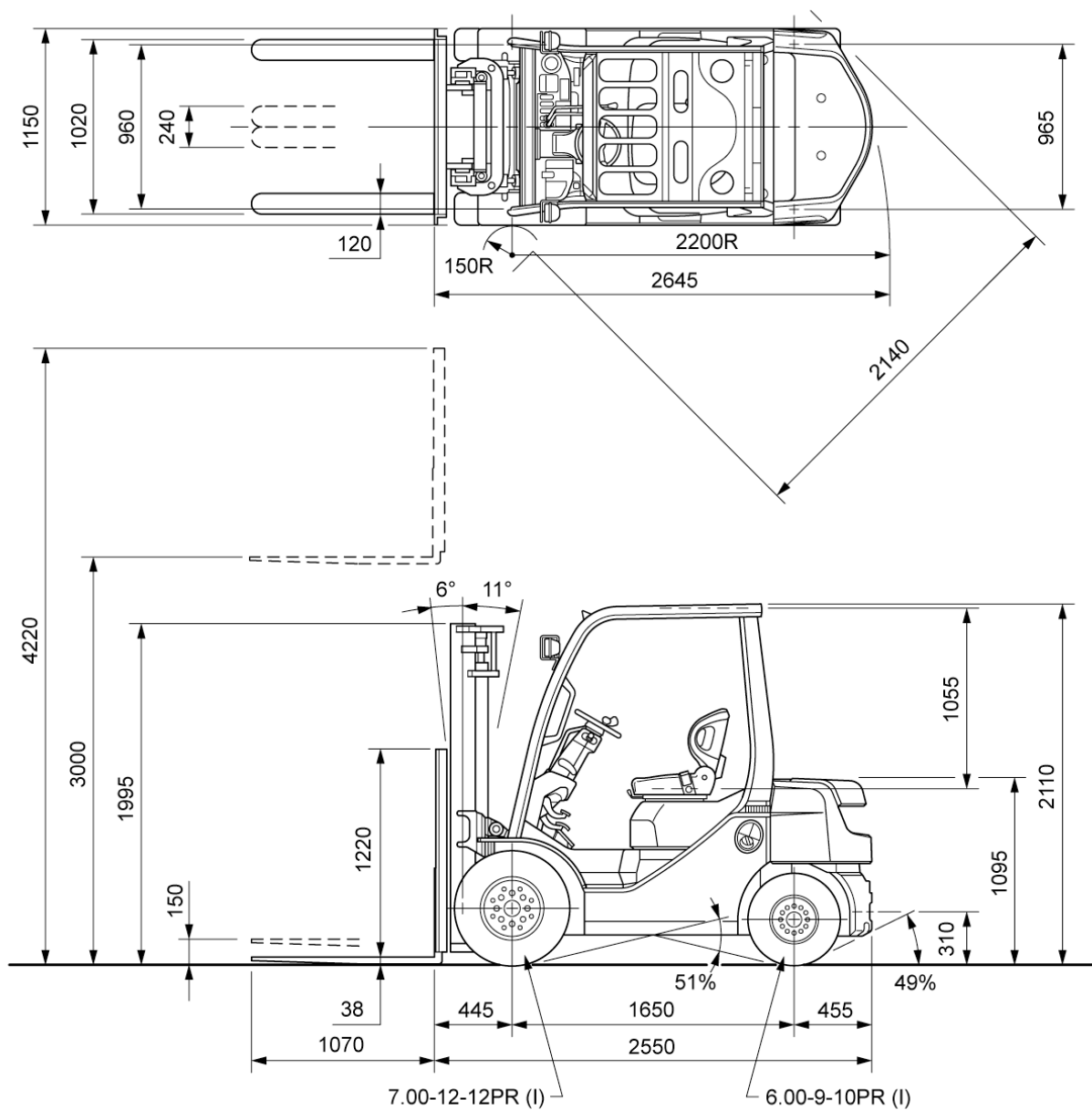
*** ** 2Z: Non-road Mobile Machinery (97/68/EC; Stage II).

DIMENSIONAL DRAWINGS

(February 2011)

Unit: mm

8FG/8FD20



UNDERCLEARANCE

Mast (Full Load)	95
Drive Axle (Full Load)	130
Steer Axle (No Load)	160
Center of Wheelbase (Full Load)	140
Counterweight (No Load)	150

SPECIAL TREAD

(February 2011)

Model		8FG/8FD20		
Front Tire	Single/Dual	Single	Dual	Dual
Front Tire Size		7.00-12-12PR (I)	5.50-15-8PR (I)	7.00-12-12PR (I)
Overall Width	mm	1150	1450	1610
Tread, Front	mm	960	1105	1190

SPECIAL MAST

(January 2016)

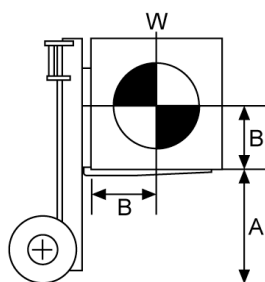
Wide Visible Full-Free Lift Two-Stage Mast (FV), Wide Visible Full-Free Lift Three-Stage Mast (FSV)

Model	8FG20	60-8FD20 62-8FD20 <36kW>	70-8FD20 72-8FD20 82-8FD20	8FG20	60-8FD20 62-8FD20 <36kW>	70-8FD20 72-8FD20 82-8FD20			
Type of Mast	FV			FSV					
PERFORMANCE									
Speeds	Lifting	Full Load	mm/sec	560	600<525>	625	560	590<530>	620
		No Load	mm/sec	600	640<565>	655	600	630<570>	645
	Lowering	Full Load	mm/sec	480			480		
		No Load	mm/sec	420			450		
DIMENSIONS									
Load Distance (Centerline of front axle to front face of forks)	mm	470			480 (485)**				

NOTE: * Number shown in () is when the forkbar width is other than 1020 mm.

RATED CAPACITIES

(April 2009)

8FG/8FD20

A: Max. Fork Height
B: Load Center
W: Capacity

V, FV Mast (PN)

Unit: kg (W)

A (mm)	4000	4500	5000
B (mm)	500	2000	1950 [1900]
	600	1810	1760 [1710]
	700	1650	1610 [1570]
	800	1520	1480 [1440]
B (mm)	900	1400	1370 [1330]
	1000	1310	1270 [1240]
	1100	1220	1190 [1160]
	1200	1150	1120 [1090]
	1300	1080	1060 [1030]

[] for dual tire models.

V, FV Mast (PSC)

Unit: kg (W)

A (mm)	4500	5000
B (mm)	500	1950 1900
	600	1760 1710
	700	1610 1570
	800	1480 1440
B (mm)	900	1370 1330
	1000	1270 1240
	1100	1190 1160
	1200	1120 1090
	1300	1060 1030

FSV Mast (PN)

Unit: kg (W)

A (mm)	3700	4000	4300	4500	4700	5000	5500	6000	6500	7000	
B (mm)	500	2000	1950	1900 [1950]	1850 [1900]	1850 [1900]	1450 [1850]	1200 [1800]	850 [1600]	— [1550]	— [1200]
	600	1810	1760	1720 [1760]	1670 [1720]	1670 [1720]	1310 [1670]	1080 [1630]	770 [1450]	— [1400]	— [1080]
	700	1650	1610	1570 [1610]	1530 [1570]	1530 [1570]	1200 [1530]	990 [1490]	700 [1320]	— [1280]	— [990]
	800	1520	1490	1450 [1490]	1410 [1450]	1410 [1450]	1100 [1410]	910 [1370]	650 [1220]	— [1180]	— [910]
	900	1410	1380	1340 [1380]	1310 [1340]	1310 [1340]	1020 [1310]	850 [1270]	600 [1130]	— [1090]	— [850]
	1000	1320	1280	1250 [1280]	1220 [1250]	1220 [1250]	950 [1220]	790 [1180]	560 [1050]	— [1020]	— [790]
	1100	1230	1200	1170 [1200]	1140 [1170]	1140 [1170]	890 [1140]	740 [1110]	520 [990]	— [950]	— [740]
	1200	1160	1130	1100 [1130]	1070 [1100]	1070 [1100]	840 [1070]	690 [1040]	490 [930]	— [900]	— [690]
	1300	1090	1070	1040 [1070]	1010 [1040]	1010 [1040]	790 [1010]	650 [980]	460 [870]	— [850]	— [650]

[] for dual tire models (PN or PSC).

FSV Mast (PSC)

Unit: kg (W)

A (mm)	5000	5500	6000	
B (mm)	500	1600	1350	1000
	600	1450	1220	900
	700	1320	1120	820
	800	1220	1030	760
	900	1130	950	700
	1000	1050	890	660
	1100	990	830	610
	1200	930	780	580
	1300	870	740	540

MAST SPECIFICATIONS & RATED CAPACITIES

(April 2009)

Wide Visible Mast (V), Wide Visible Full-Free Lift Two-Stage Mast (FV), Wide Visible Full-Free Lift Three-Stage Mast (FSV)

8FG/8FD20

Mast Type	Maximum Fork Height	Overall Height				Free Lift		Single Tire				Dual Tire		
		Lowered	Extended		Without Load Backrest	With Standard Load Backrest	Tilt Range		Load Capacity at 500 mm LC		Tilt Range		Load Capacity at 500 mm LC	
			Without Load Backrest	With Standard Load Backrest			FWD	BWD	Pneumatic Tire	Pneumatic-Shaped Cushion Tire	FWD	BWD		Pneumatic Tire/ Pneumatic-Shaped Cushion Tire
mm	mm	mm	mm	mm	mm	deg	deg	kg	kg	deg	deg	kg		
V	2700	1845	3370*	3920	145	145	6	11	2000	2000	6	11	2000	
	3000	1995	3670*	4220	145	145	6	11	2000	2000	6	11	2000	
	3300	2145	3970*	4520	145	145	6	11	2000	2000	6	11	2000	
	3500	2245	4170*	4720	145	145	6	11	2000	2000	6	11	2000	
	3700	2405	4370*	4920	145	145	6	11	2000	2000	6	11	2000	
	4000	2595	4670*	5220	145	145	6	11	2000	2000	6	11	2000	
	4500	2845	5170*	5720	145	145	6	6	1950	1950	6	11	1950	
FV	5000	3095	5670*	6220	145	145	6	6	1850	1900	6	6	1900	
	3000	1995	3605	4220	1390	775	6	11	2000	2000	6	11	2000	
	3300	2145	3905	4520	1540	925	6	11	2000	2000	6	11	2000	
	3500	2245	4105	4720	1640	1025	6	11	2000	2000	6	11	2000	
	3700	2405	4305	4920	1800	1185	6	11	2000	2000	6	11	2000	
FSV	4000	2595	4605	5220	1990	1375	6	11	2000	2000	6	11	2000	
	3700	1795	4265	4920	1230	575	6	6	2000	2000	6	6	2000	
	4000	1895	4565	5220	1330	675	6	6	1950	1950	6	6	1950	
	4300	1995	4865	5520	1430	775	6	6	1900	1900	6	6	1950	
	4500	2065	5065	5720	1500	845	6	6	1850	1850	6	6	1900	
	4700	2145	5265	5920	1580	925	6	6	1850	1850	6	6	1900	
	5000	2245	5565	6220	1680	1025	6	6	1450	1600	6	6	1850	
	5500	2405	6065	6720	1840	1185	6	6	1200	1350	6	6	1800	
	6000	2595	6565	7220	2030	1375	6	6	850	1000	6	6	1600	
	6500	2845	7065	7720	2280	1625	—	—	—	—	6	6	1550	
7000	3095	7565	8220	2530	1875	—	—	—	—	6	6	1200		

NOTE: Height of standard load backrest is 1220 mm.

* with A4 piping, minus 15 mm.

8FGK25

8FDK25

MAIN VEHICLE SPECIFICATIONS

(May 2009)

1	Manufacturer			TOYOTA	TOYOTA
2	Model			32-8FGK25	62-8FDK25
3	Load Capacity		kg	2500	2500
4	Load Center		mm	500	500
5	Power Type			Gasoline	Diesel
6	Operator Position			Rider Seated	Rider Seated
7	Tire Type		Front/Rear	Pneumatic	Pneumatic
8	Wheels (x = driven)		Front/Rear	2x/2	2x/2
9	Maximum Fork Height (MFH)		mm	3000	3000
10	Free Lift		mm	130	130
13	Fork Size		T x W x L	42x120x1070	42x120x1070
	Fork Spread (Outside)		MAX./MIN.	1020/240	1020/240
14	Tilt Range		FWD/BWD	deg	7/10
15	Length to Fork Face			mm	2420
16	Overall Width			mm	1155
17	Mast Lowered Height			mm	1975
18	Mast Extended Height			mm	4220
19	Overhead Guard Height			mm	2085
21	Turning Radius (Outside)			mm	2090
22	Load Distance (Centerline of front axle to front face of forks)		mm	425 (430) **	425 (430) **
	Rear Overhang		mm	510	510
23	Basic Right Angle Stacking Aisle Width (Add load length and clearance)		mm	2515	2515
24		Travel, Max. (FWD/RVS)	Full Load	km/h	17.0/17.0
			No Load	km/h	17.5/17.5
25	Speeds	Lifting	Full Load	mm/sec	600
			No Load	mm/sec	640
26		Lowering	Full Load	mm/sec	500
			No Load	mm/sec	500
28	Max. Drawbar Pull		Full Load	N (kg)	18800 (1920)
			No Load	N (kg)	6800 (690)
	Max. Drawbar Pull at 1.5km/h *		Full Load	N (kg)	17200 (1750)
29	Gradeability at 1.5 km/h *		Full Load	% (tanθ)	29
30	Max. Gradeability *		Full Load	% (tanθ)	32
			No Load	% (tanθ)	16
32	Total Weight			kg	3550
33	Weight Distribution	Full Load	Front	kg	5240
			Rear	kg	810
34		No Load	Front	kg	1100
			Rear	kg	2450
35		Number	Front/Rear		2/2
36	Tires	Size	Front		21x8-9-14PR (I)
Rear				18x7-8-10PR (I)	
38	Wheelbase		mm	1485	1485
39	Tread		Front	mm	960
			Rear	mm	940
	Backrest Height		mm	1220	1220
	Overhead Guard Clearance		mm	1055	1055
	Counterweight Height		mm	1215	1215
	Drawbar Pin Center Height		mm	285	285
	Step Height/Floor Height		mm	380/615	380/615
40	Underclearance	Min. <Mast>	mm	80	80
41	(Full Load)	Center of Wheelbase	mm	105	105
	Grade Clearance	Frame/Counterweight	% (tanθ)	40/35	40/35
42	Brake	Service (Foot)		Hydraulic	Hydraulic
43		Parking		Foot	Foot
45	Battery	Voltage/Capacity (5HR)	V/AH	12/27	12/55
49	Internal Combustion Engine	Make/Model		TOYOTA/4Y	TOYOTA/1DZ-II ***
50		Rated Power/r.p.m.	kW (JIS ps)	40/2400 (54/2400)	40/2400 (55/2400)
51		Rated Torque/r.p.m.	N-m (JIS kg-m)	162/1800 (16.5/1800)	167/1600 (17.0/1600)
52		Number of Cylinder		4	4
		Piston Displacement	cc	2237	2486
	Fuel Tank Capacity	liter	55	55	
55	Transmission	Type		Powershift	Powershift
		Stage	FWD/RVS	1/1	1/1
57	Operating Pressure	For Attachments	Mpa (kg/cm ²)	15.7 (160)	15.7 (160)

NOTE: * Computed values.

** Number shown in () is when the forkbar width is other than 1020 mm.

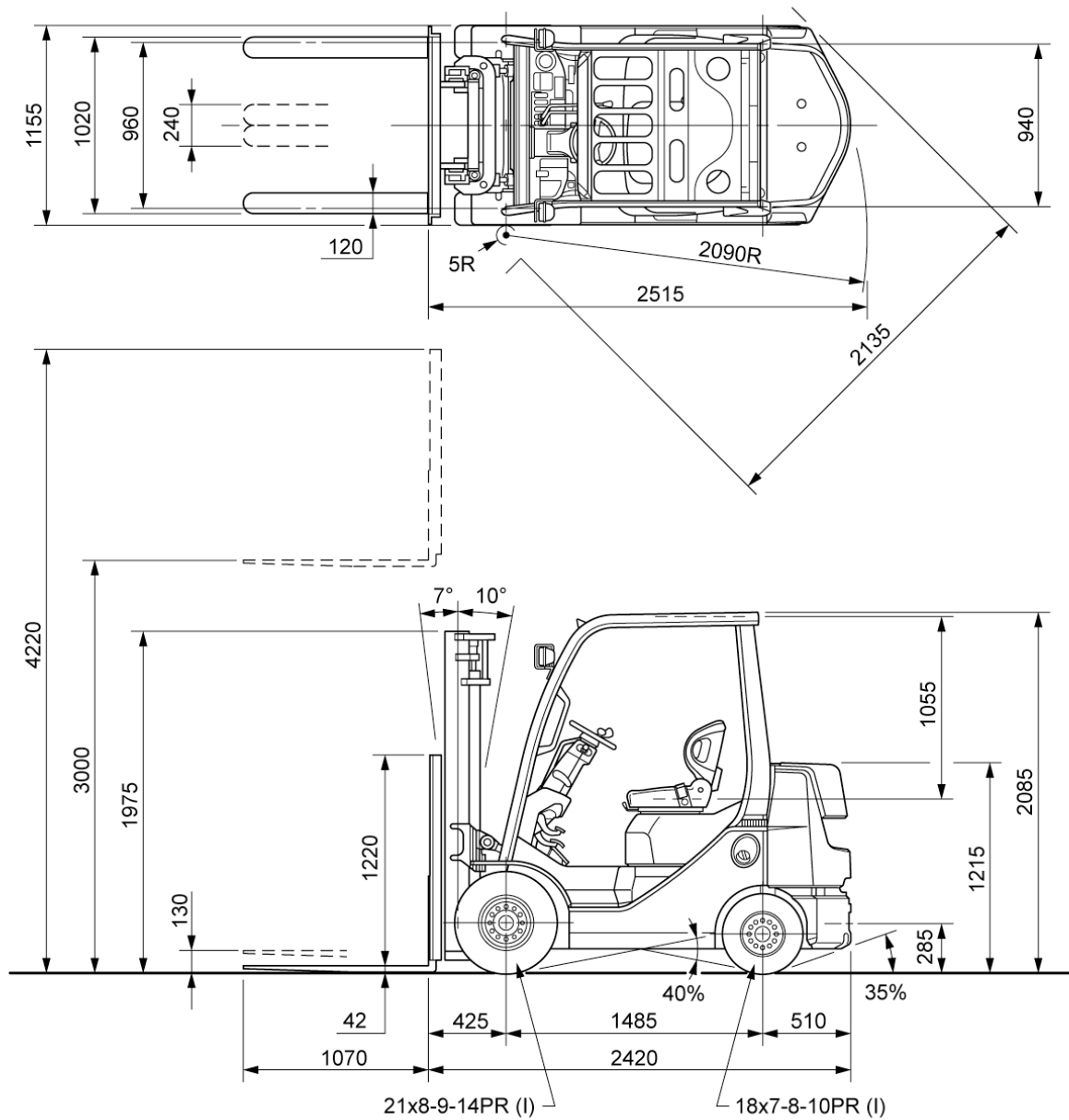
*** 1DZ-II: Non-road Mobile Machinery (97/68/EC; Stage II) EPA Non-road Diesel Emissions (40 CFR Part 89; Interim Tier 2).

DIMENSIONAL DRAWINGS

(February 2011)

Unit: mm

8FGK/8FDK25



UNDERCLEARANCE

Mast (Full Load)-----	80
Drive Axle (Full Load)-----	85
Steer Axle (No Load)-----	130
Center of Wheelbase (Full Load)-----	105
Counterweight (No Load)-----	125

SPECIAL MAST

(February 2011)

Wide Visible Full-Free Lift Two-Stage Mast (FV), Wide Visible Full-Free Lift Three-Stage Mast (FSV)

Model	8FGK25	8FDK25	8FGK25	8FDK25
Type of Mast	FV		FSV	

PERFORMANCE

Speeds	Lifting	Full Load	mm/sec	560	550	560	550
		No Load	mm/sec	600	585	600	575
	Lowering	Full Load	mm/sec	480		480	
		No Load	mm/sec	420		450	

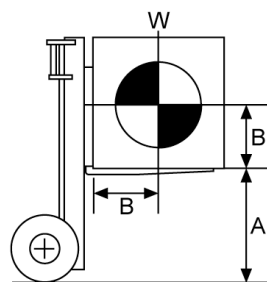
DIMENSIONS

Load Distance (Centerline of front axle to front face of forks)	mm	430	455 (460) *
--	----	-----	-------------

NOTE: * Number shown in () is when the forkbar width is other than 1020 mm.

RATED CAPACITIES

(April 2009)

8FGK/8FDK25

A: Max. Fork Height

B: Load Center

W: Capacity

V, FV Mast (PN)

Unit: kg (W)

A (mm)	4000	4500	5000
B (mm)	500	2500	1700
	600	2260	1530
	700	2060	1400
B (mm)	800	1900	1290
	900	1750	1190
	1000	1630	1110
	1100	1530	1040
	1200	1430	970

V, FV Mast (PSC)

Unit: kg (W)

A (mm)	4000	4500	5000
B (mm)	500	2500	1850
	600	2260	1670
	700	2060	1520
B (mm)	800	1900	1400
	900	1750	1300
	1000	1630	1210
	1100	1530	1130
	1200	1430	1060

FSV Mast (PN)

Unit: kg (W)

A (mm)	4000	4300	4500	4700	5000	5500	6000
500	2500	2300	2000	2000	1500	1250	850
600	2260	2080	1810	1810	1350	1130	770
700	2070	1900	1650	1650	1240	1030	700
800	1900	1750	1520	1520	1140	950	640
900	1770	1620	1410	1410	1060	880	600
1000	1640	1510	1310	1310	980	820	560
1100	1540	1420	1230	1230	920	770	520
1200	1450	1330	1160	1160	870	720	490

FSV Mast (PSC)

Unit: kg (W)

A (mm)	4000	4300	4500	4700	5000	5500	6000
500	2500	2450	2150	2150	1650	1400	1000
600	2260	2220	1940	1940	1490	1260	900
700	2070	2030	1780	1780	1360	1160	820
800	1900	1870	1640	1640	1260	1060	760
900	1770	1730	1520	1520	1160	990	700
1000	1640	1610	1410	1410	1080	920	650
1100	1540	1510	1320	1320	1010	860	610
1200	1450	1420	1240	1240	950	810	580

MAST SPECIFICATIONS & RATED CAPACITIES

(April 2009)

Wide Visible Mast (V), Wide Visible Full-Free Lift Two-Stage Mast (FV), Wide Visible Full-Free Lift Three-Stage Mast (FSV)

8FGK/8FDK25

Mast Type	Maximum Fork Height	Overall Height			Free Lift		Single Tire			
		Lowered	Extended		Without Load Backrest	With Standard Load Backrest	Tilt Range		Load Capacity at 500 mm LC	
			Without Load Backrest	With Standard Load Backrest			FWD	BWD	Pneumatic Tire	Pneumatic-Shaped Cushion Tire
mm	mm	mm	mm	mm	mm	deg	deg	kg	kg	
V	2700	1825	3375	3920	125	125	7	10	2500	2500
	3000	1975	3675	4220	125	125	7	10	2500	2500
	3300	2125	3975	4520	125	125	7	10	2500	2500
	3500	2225	4175	4720	125	125	7	10	2500	2500
	3700	2385	4375	4920	125	125	7	10	2500	2500
	4000	2575	4675	5220	125	125	7	5	2500	2500
	4500	2825	5175	5720	125	125	7	5	2150	2300
FV	3000	1975	3610	4220	1370	765	7	10	2500	2500
	3300	2125	3910	4520	1520	915	7	10	2500	2500
	3500	2225	4110	4720	1620	1015	7	10	2500	2500
	3700	2385	4310	4920	1780	1175	7	10	2500	2500
	4000	2575	4610	5220	1970	1365	7	5	2500	2500
FSV	3700	1775	4350	4920	1130	565	7	5	2500	2500
	4000	1875	4650	5220	1230	665	7	5	2500	2500
	4300	1975	4950	5520	1330	765	7	5	2300	2450
	4500	2045	5150	5720	1400	835	7	5	2000	2150
	4700	2125	5350	5920	1480	915	7	5	2000	2150
	5000	2225	5650	6220	1580	1015	7	5	1500	1650
	5500	2385	6150	6720	1740	1175	7	5	1250	1400
6000	2575	6650	7220	1930	1365	7	5	850	1000	

NOTE: Height of standard load backrest is 1220 mm.

8FG25

8FD25

MAIN VEHICLE SPECIFICATIONS

(January 2016)

			TOYOTA		TOYOTA			
			30-8FG25	32-8FG25	60-8FD25	62-8FD25		
1	Manufacturer							
2	Model							
3	Load Capacity	kg	2500		2500			
4	Load Center	mm	500		500			
5	Power Type		Gasoline		Diesel			
6	Operator Position		Rider Seated		Rider Seated			
7	Tire Type	Front/Rear	Pneumatic		Pneumatic			
8	Wheels (x = driven)	Front/Rear	2x/2		2x/2			
9	Maximum Fork Height (MFH)	mm	3000		3000			
10	Free Lift	mm	155		155			
13	Fork Size	T x W x L	42x120x1070		42x120x1070			
	Fork Spread (Outside)	MAX./MIN.	1020/240		1020/240			
14	Tilt Range	FWD/BWD	deg		deg			
15	Length to Fork Face	mm	2620		2620			
16	Overall Width	mm	1150		1150			
17	Mast Lowered Height	mm	1995		1995			
18	Mast Extended Height	mm	4220		4220			
19	Overhead Guard Height	mm	2110		2110			
21	Turning Radius (Outside)	mm	2280		2280			
22	Load Distance (Centerline of front axle to front face of forks)	mm	450 (455) **		450 (455) **			
	Rear Overhang	mm	520		520			
23	Basic Right Angle Stacking Aisle Width (Add load length and clearance)	mm	2730		2730			
24	Speeds	Travel, Max. (FWD/RVS)	Full Load	km/h	18.0/18.0	17.5/17.5	19.5/19.5	19.0/19.0 <17.0/17.0>
			No Load	km/h	18.5/18.5	18.0/18.0	20.0/20.0	19.5/19.5 <17.5/17.5>
25	Lifting	Full Load	mm/sec	600	600	615	615<560>	
			No Load	mm/sec	640	640	655	655<600>
26	Lowering	Full Load	mm/sec	500	500	500	500<500>	
			No Load	mm/sec	500	500	500	500<500>
28	Max. Drawbar Pull	Full Load	N (kg)	16500 (1680)	18500 (1890)	17500 (1780)	19000 (1940) <17400(1770)>	
			No Load	N (kg)	8600 (880)	8500 (870)	8700 (890)	8700 (890) <8700(890)>
	Max. Drawbar Pull at 1.5km/h *	Full Load	N (kg)	—	17000 (1730)	—	17200 (1750) <15000(1530)>	
29	Gradeability at 1.5 km/h *	Full Load	% (tanθ)	—	30	—	31<27>	
30	Max. Gradeability *	Full Load	% (tanθ)	28	34	28	34<31>	
			No Load	% (tanθ)	19	19	19	19<19>
32	Total Weight	kg	3560		3600			
33	Weight Distribution	Full Load	Front	kg	5280	5300	5300	
			Rear	kg	780	800	800	
34	No Load	Front	kg	1300	1320	1320		
			Rear	kg	2260	2280	2280	
35	Tires	Number	Front/Rear	2/2		2/2		
			Size	Front	7.00-12-12PR (I)		7.00-12-12PR (I)	
	Rear	6.00-9-10PR (I)		6.00-9-10PR (I)				
38	Wheelbase	mm	1650		1650			
39	Tread	Front	mm	960		960		
		Rear	mm	965		965		
	Backrest Height	mm	1220		1220			
	Overhead Guard Clearance	mm	1055		1055			
	Counterweight Height	mm	1090		1090			
	Drawbar Pin Center Height	mm	310		310			
	Step Height/Floor Height	mm	435/675		435/675			
40	Underclearance	Min. <Mast>	mm	95		95		
41	(Full Load)	Center of Wheelbase	mm	140		140		
	Grade Clearance	Frame/Counterweight	% (tanθ)	51/41		51/41		
42	Brake	Service (Foot)	Hydraulic		Hydraulic			
43		Parking	Hand	Foot	Hand	Foot		
45	Battery	Voltage/Capacity (5HR)	V/AH	12/27		12/55		
49	Internal Combustion Engine	Make/Model	TOYOTA/4Y		TOYOTA/1DZ-II [1DZ-III] *** <1DZ-III>****			
50		Rated Power/r.p.m.	kW (JIS ps)	40/2400 (54/2400)		44 (60) /2600 [41 (55) /2500]<36(49)/2400>		
51		Rated Torque/r.p.m.	N-m (JIS kg-m)	162/1800 (16.5/1800)		167 (17.0) /1600 [157 (16.0) /2500]<150(15.3)/2000>		
52		Number of Cylinder	4		4			
		Piston Displacement	cc	2237		2486		
	Fuel Tank Capacity	liter	60		60			
55	Transmission	Type	Manual	Powershift	Manual	Powershift		
	Stage	FWD/RVS	2/2	1/1	2/2	1/1		
57	Operating Pressure	For Attachments	Mpa (kg/cm ²)	15.7 (160)		15.7 (160)		

-
- NOTE: * Computed values.
** Number shown in () is when the forkbar width is other than 1020 mm.
*** 1DZ-II: Non-road Mobile Machinery (97/68/EC; Stage II) EPA Non-road Diesel Emissions (40 CFR Part 89; Interim Tier 2).
1DZ-III: Non-road Mobile Machinery (97/68/EC; Stage IIIA) EPA Non-road Diesel Emissions (40 CFR Part 1039; Interim Tier 4).
**** 1DZ-III: Non-road Mobile Machinery (GB20891-2014; Stage III, IV)

MAIN VEHICLE SPECIFICATIONS

(January 2016)

				TOYOTA		TOYOTA
				70-8FD25	72-8FD25	82-8FD25
1	Manufacturer			TOYOTA		TOYOTA
2	Model			70-8FD25	72-8FD25	82-8FD25
3	Load Capacity	kg		2500		2500
4	Load Center	mm		500		500
5	Power Type			Diesel		Diesel
6	Operator Position			Rider Seated		Rider Seated
7	Tire Type	Front/Rear		Pneumatic		Pneumatic
8	Wheels (x = driven)	Front/Rear		2x/2		2x/2
9	Maximum Fork Height (MFH)	mm		3000		3000
10	Free Lift	mm		155		155
13	Fork Size	T x W x L		42x120x1070		42x120x1070
	Fork Spread (Outside)	MAX./MIN.		1020/240		1020/240
14	Tilt Range	FWD/BWD		deg		6/11
15	Length to Fork Face	mm		2620		2620
16	Overall Width	mm		1150		1150
17	Mast Lowered Height	mm		1995		1995
18	Mast Extended Height	mm		4220		4220
19	Overhead Guard Height	mm		2110		2110
21	Turning Radius (Outside)	mm		2280		2280
22	Load Distance (Centerline of front axle to front face of forks)	mm		450 (455) **		450 (455) **
	Rear Overhang	mm		520		520
23	Basic Right Angle Stacking Aisle Width (Add load length and clearance)	mm		2730		2730
24	Travel, Max. (FWD/RVS)	Full Load	km/h	19.0/19.0	19.0/19.0	19.0/19.0
		No Load	km/h	19.5/19.5	19.5/19.5	19.5/19.5
25	Speeds	Lifting	Full Load	mm/sec	650	650
		No Load	mm/sec	675	675	675
26	Lowering	Full Load	mm/sec	500	500	500
		No Load	mm/sec	500	500	500
28	Max. Drawbar Pull	Full Load	N (kg)	19500 (1990)	20000 (2040)	20000 (2040)
		No Load	N (kg)	8800 (900)	8800 (900)	8800 (900)
	Max. Drawbar Pull at 1.5km/h *	Full Load	N (kg)	—	17500 (1780)	17500 (1780)
29	Gradeability at 1.5 km/h *	Full Load	% (tanθ)	—	29	29
30	Max. Gradeability *	Full Load	% (tanθ)	33	32	32
		No Load	% (tanθ)	19	19	19
32	Total Weight	kg		3650		3650
33	Weight Distribution	Full Load	Front	kg	5320	5320
			Rear	kg	830	830
34	No Load	Front	kg	1340	1340	
		Rear	kg	2310	2310	
35	Number	Front/Rear		2/2		2/2
36	Tires	Size	Front	7.00-12-12PR (I)		7.00-12-12PR (I)
			Rear	6.00-9-10PR (I)		6.00-9-10PR (I)
38	Wheelbase	mm		1650		1650
39	Tread	Front	mm	960		960
		Rear	mm	965		965
	Backrest Height	mm		1220		1220
	Overhead Guard Clearance	mm		1055		1055
	Counterweight Height	mm		1090		1095
	Drawbar Pin Center Height	mm		310		310
	Step Height/Floor Height	mm		435/675		435/675
40	Underclearance	Min. <Mast>	mm	95		95
41	(Full Load)	Center of Wheelbase	mm	140		140
	Grade Clearance	Frame/Counterweight	% (tanθ)	51/41		51/41
42	Brake	Service (Foot)	Hydraulic			Hydraulic
43		Parking	Hand	Foot	Foot	
45	Battery	Voltage/Capacity (5HR)	V/AH	12/64		12/70
49	Internal Combustion Engine	Make/Model	TOYOTA/2Z ***		TOYOTA/3Z	
50		Rated Power/r.p.m.	kW (JIS ps)		42/2200 (57/2200)	
51		Rated Torque/r.p.m.	N-m (JIS kg-m)		200/1600 (20.4/1600)	
52		Number of Cylinder	4		4	
	Piston Displacement	cc		3469		
	Fuel Tank Capacity	liter		60		
55	Transmission	Type	Manual	Powershift	Powershift	
		Stage	FWD/RVS	2/2	1/1	1/1
57	Operating Pressure	For Attachments	Mpa (kg/cm ²)	15.7 (160)		15.7 (160)

NOTE: * Computed values.

** Number shown in () is when the forkbar width is other than 1020 mm.

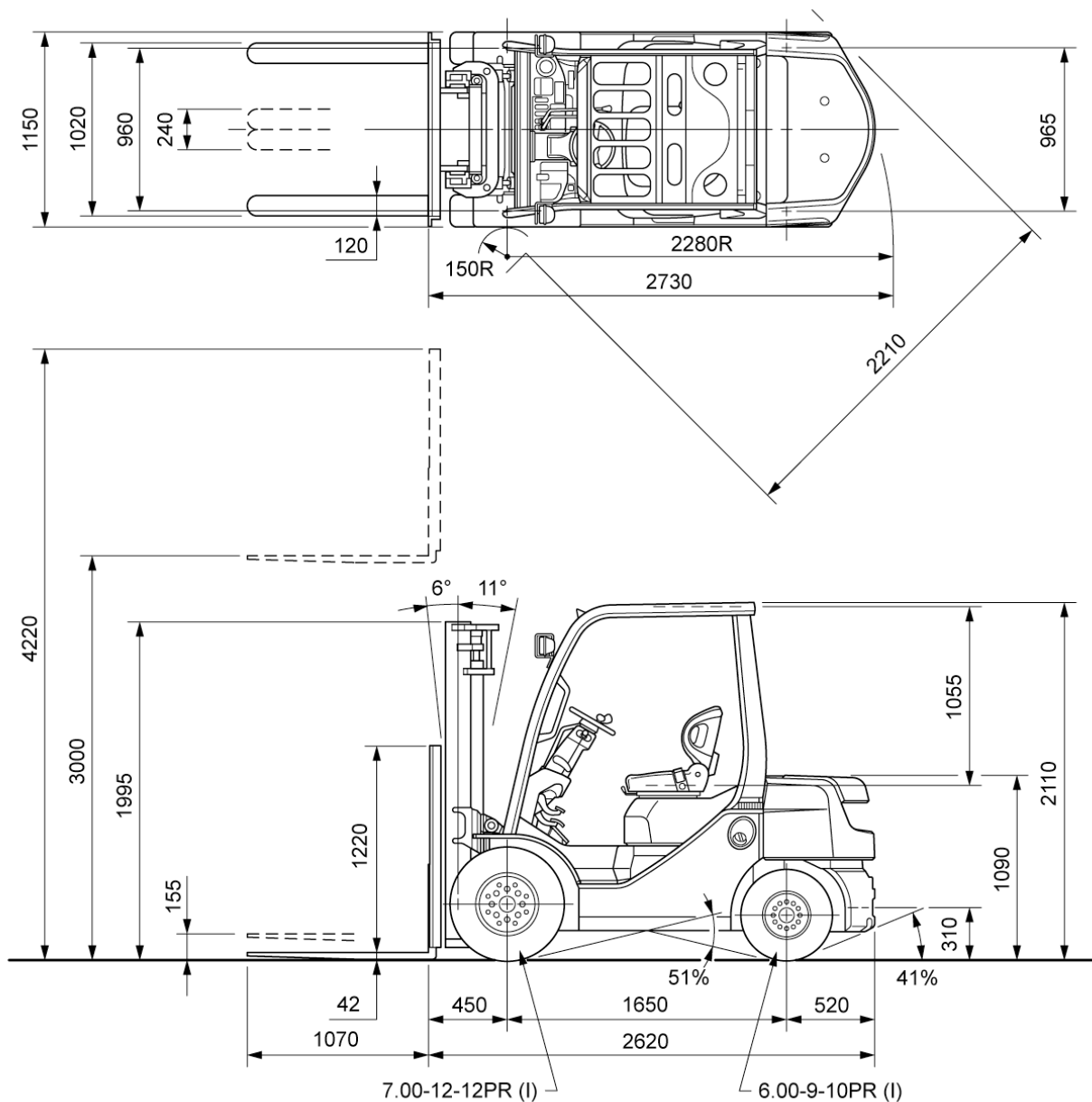
*** 2Z: Non-road Mobile Machinery (97/68/EC; Stage II).

DIMENSIONAL DRAWINGS

(February 2011)

Unit: mm

8FG/8FD25



UNDERCLEARANCE

Mast (Full Load)	95
Drive Axle (Full Load)	130
Steer Axle (No Load)	160
Center of Wheelbase (Full Load)	140
Counterweight (No Load)	150

SPECIAL TREAD

(February 2011)

Model		8FG/8FD25		
Front Tire	Single/Dual	Single	Dual	Dual
Front Tire Size		7.00-12-12PR (I)	5.50-15-8PR (I)	7.00-12-12PR (I)
Overall Width	mm	1150	1450	1610
Tread, Front	mm	960	1105	1190

SPECIAL MAST

(January 2016)

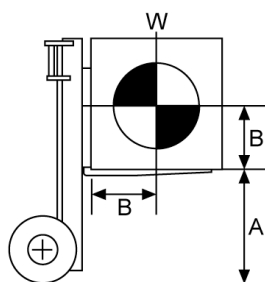
Wide Visible Full-Free Lift Two-Stage Mast (FV), Wide Visible Full-Free Lift Three-Stage Mast (FSV)

Model	8FG25	60-8FD25 62-8FD25 <36kW>	70-8FD25 72-8FD25 82-8FD25	8FG25	60-8FD25 62-8FD25 <36kW>	70-8FD25 72-8FD25 82-8FD25			
Type of Mast	FV			FSV					
PERFORMANCE									
Speeds	Lifting	Full Load	mm/sec	560	600<525>	625	560	590<530>	620
		No Load	mm/sec	600	640<565>	655	600	630<570>	645
	Lowering	Full Load	mm/sec	480			480		
		No Load	mm/sec	420			450		
DIMENSIONS									
Load Distance (Centerline of front axle to front face of forks)	mm	475			485 (490) *				

NOTE: * Number shown in () is when the forkbar width is other than 1020 mm.

RATED CAPACITIES

(April 2009)

8FG/8FD25

A: Max. Fork Height
B: Load Center
W: Capacity

V, FV Mast (PN)

Unit: kg (W)

A (mm)	4000	4500	5000
B (mm)	500	2500 [2450]	1700 [2400]
	600	2260 [2210]	1540 [2170]
	700	2070 [2020]	1400 [1980]
	800	1900 [1860]	1290 [1830]
	900	1760 [1730]	1200 [1690]
	1000	1640 [1610]	1110 [1580]
	1100	1540 [1510]	1040 [1470]
	1200	1440 [1410]	980 [1390]
1300	1360 [1330]	920 [1310]	

[] for dual tire models.

V, FV Mast (PSC)

Unit: kg (W)

A (mm)	4000	4500	5000
B (mm)	500	2500 [2450]	1850 [2400]
	600	2260 [2210]	1540 [2170]
	700	2070 [2020]	1400 [1980]
	800	1900 [1860]	1290 [1830]
	900	1760 [1730]	1200 [1690]
	1000	1640 [1610]	1110 [1580]
	1100	1540 [1510]	1040 [1470]
	1200	1440 [1410]	980 [1390]
1300	1360 [1330]	920 [1310]	

[] for dual tire models.

FSV Mast (PN)

Unit: kg (W)

A (mm)	4000	4300	4500	4700	5000	5500	6000	6500	7000
B (mm)	500	2500 [2500]	2300 [2450]	2000 [2450]	2000 [2400]	1500 [2050]	1250 [1700]	900 [1550]	— [1200]
	600	2260 [2260]	2080 [2220]	1810 [2220]	1810 [2170]	1360 [2170]	1130 [1860]	810 [1540]	— [1400]
	700	2070 [2070]	1910 [2070]	1660 [2030]	1660 [2030]	1240 [1990]	1030 [1700]	740 [1410]	— [1280]
	800	1910 [1910]	1760 [1910]	1530 [1870]	1530 [1870]	1140 [1830]	950 [1560]	680 [1300]	— [1180]
	900	1770 [1770]	1630 [1770]	1420 [1730]	1420 [1730]	1060 [1700]	880 [1450]	630 [1200]	— [1100]
	1000	1650 [1650]	1520 [1650]	1320 [1620]	1320 [1620]	990 [1580]	820 [1350]	590 [1120]	— [1020]
	1100	1550 [1550]	1420 [1550]	1240 [1510]	1240 [1510]	930 [1480]	770 [1270]	550 [1050]	— [960]
	1200	1450 [1450]	1340 [1450]	1160 [1420]	1160 [1420]	870 [1400]	720 [1190]	520 [990]	— [900]
	1300	1370 [1370]	1260 [1370]	1100 [1340]	1100 [1340]	820 [1320]	680 [1120]	490 [930]	— [850]

[] for dual tire models (PN or PSC).

FSV Mast (PSC)

Unit: kg (W)

A (mm)	5000	5500	6000	
B (mm)	500	1650	1400	1050
	600	1490	1270	950
	700	1370	1160	870
	800	1260	1070	800
	900	1170	990	740
	1000	1090	920	690
	1100	1020	860	650
	1200	960	810	610
	1300	900	770	570

MAST SPECIFICATIONS & RATED CAPACITIES

(April 2009)

Wide Visible Mast (V), Wide Visible Full-Free Lift Two-Stage Mast (FV), Wide Visible Full-Free Lift Three-Stage Mast (FSV)

8FG/8FD25

Mast Type	Maximum Fork Height	Overall Height			Free Lift		Single Tire				Dual Tire		
		Lowered	Extended		Without Load Backrest	With Standard Load Backrest	Tilt Range		Load Capacity at 500 mm LC		Tilt Range		Load Capacity at 500 mm LC
			Without Load Backrest	With Standard Load Backrest			FWD	BWD	Pneumatic Tire	Pneumatic-Shaped Cushion Tire	FWD	BWD	
mm	mm	mm	mm	mm	mm	deg	deg	kg	kg	deg	deg	kg	
V	2700	1845	3370*	3920	150	150	6	11	2500	2500	6	11	2500
	3000	1995	3670*	4220	150	150	6	11	2500	2500	6	11	2500
	3300	2145	3970*	4520	150	150	6	11	2500	2500	6	11	2500
	3500	2245	4170*	4720	150	150	6	11	2500	2500	6	11	2500
	3700	2405	4370*	4920	150	150	6	11	2500	2500	6	11	2500
	4000	2595	4670*	5220	150	150	6	9	2500	2500	6	11	2500
	4500	2845	5170*	5720	150	150	6	6	2150	2300	6	11	2450
FV	5000	3095	5670*	6220	150	150	6	6	1700	1850	6	6	2400
	3000	1995	3605	4220	1400	780	6	11	2500	2500	6	11	2500
	3300	2145	3905	4520	1550	930	6	11	2500	2500	6	11	2500
	3500	2245	4105	4720	1650	1030	6	11	2500	2500	6	11	2500
FSV	3700	2405	4305	4920	1810	1190	6	11	2500	2500	6	11	2500
	4000	2595	4605	5220	2000	1380	6	9	2500	2500	6	11	2500
	3700	1795	4265	4920	1235	580	6	6	2500	2500	6	6	2500
	4000	1895	4565	5220	1335	680	6	6	2500	2500	6	6	2500
	4300	1995	4865	5520	1435	780	6	6	2300	2300	6	6	2500
	4500	2065	5065	5720	1505	850	6	6	2000	2000	6	6	2450
	4700	2145	5265	5920	1585	930	6	6	2000	2000	6	6	2450
	5000	2245	5565	6220	1685	1030	6	6	1500	1650	6	6	2400
	5500	2405	6065	6720	1845	1190	6	6	1250	1400	6	6	2050
6000	2595	6565	7220	2035	1380	6	6	900	1050	6	6	1700	
6500	2845	7065	7720	2285	1630	—	—	—	—	6	6	1550	
7000	3095	7565	8220	2535	1880	—	—	—	—	6	6	1200	

NOTE: Height of standard load backrest is 1220 mm.

* with A4 piping, minus 15 mm.

8FGK30

8FDK30

MAIN VEHICLE SPECIFICATIONS

(May 2009)

1	Manufacturer			TOYOTA	TOYOTA	
2	Model			32-8FGK30	62-8FDK30	
3	Load Capacity		kg	3000	3000	
4	Load Center		mm	500	500	
5	Power Type			Gasoline	Diesel	
6	Operator Position			Rider Seated	Rider Seated	
7	Tire Type		Front/Rear	Pneumatic	Pneumatic	
8	Wheels (x = driven)		Front/Rear	2x/2	2x/2	
9	Maximum Fork Height (MFH)		mm	3000	3000	
10	Free Lift		mm	135	135	
13	Fork Size		T x W x L	45x120x1070	45x120x1070	
	Fork Spread (Outside)		MAX./MIN.	1020/240	1020/240	
14	Tilt Range		FWD/BWD	deg	6/11	
15	Length to Fork Face			mm	2505	
16	Overall Width			mm	1255	
17	Mast Lowered Height			mm	1980	
18	Mast Extended Height			mm	4220	
19	Overhead Guard Height			mm	2085	
21	Turning Radius (Outside)			mm	2130	
22	Load Distance (Centerline of front axle to front face of forks)			mm	460	
	Rear Overhang			mm	560	
23	Basic Right Angle Stacking Aisle Width (Add load length and clearance)			mm	2590	
24	Speeds	Travel, Max. (FWD/RVS)	Full Load	km/h	18.5/18.5	
			No Load	km/h	19.0/19.5	
		Lifting	Full Load	mm/sec	490	
			No Load	mm/sec	530	
26	Lowering	Full Load	mm/sec	500		
		No Load	mm/sec	500		
28	Max. Drawbar Pull	Full Load	N (kg)	17000 (1730)	17500 (1780)	
		No Load	N (kg)	7300 (740)	7300 (740)	
	Max. Drawbar Pull at 1.5km/h *		Full Load	N (kg)	15600 (1590)	
29	Gradeability at 1.5 km/h *		Full Load	% (tanθ)	24	
30	Max. Gradeability *		Full Load	% (tanθ)	24	
			No Load	% (tanθ)	14	
32	Total Weight			kg	4150	
33	Weight Distribution	Full Load	Front	kg	6240	
			Rear	kg	910	
34		No Load	Front	kg	1200	
			Rear	kg	2950	
35	Number		Front/Rear		2/2	
36	Tires	Size	Front		23x9-10-16PR (I)	
37			Rear		18x7-8-16PR (I)	
38	Wheelbase			mm	1485	
39	Tread		Front	mm	1030	
			Rear	mm	940	
	Backrest Height			mm	1220	
	Overhead Guard Clearance			mm	1055	
	Counterweight Height			mm	1215	
	Drawbar Pin Center Height			mm	285	
	Step Height/Floor Height			mm	400/640	
40	Underclearance	Min. <Mast>		mm	80	
41	(Full Load)	Center of Wheelbase		mm	110	
	Grade Clearance	Frame/Counterweight		% (tanθ)	45/33	
42	Brake	Service (Foot)			Hydraulic	
43		Parking				Foot
45	Battery		V/AH		12/27	
49	Make/Model			TOYOTA/4Y	TOYOTA/1DZ-II **	
50	Internal Combustion Engine	Rated Power/r.p.m.		kW (JIS ps)	40/2400 (54/2400)	
51		Rated Torque/r.p.m.		N-m (JIS kg-m)	162/1800 (16.5/1800)	
52		Number of Cylinder				4
		Piston Displacement		cc		2237
	Fuel Tank Capacity			liter	55	
55	Transmission		Type		Powershift	
			Stage	FWD/RVS	1/1	
57	Operating Pressure		For Attachments	Mpa (kg/cm ²)	15.7 (160)	

NOTE: * Computed values.

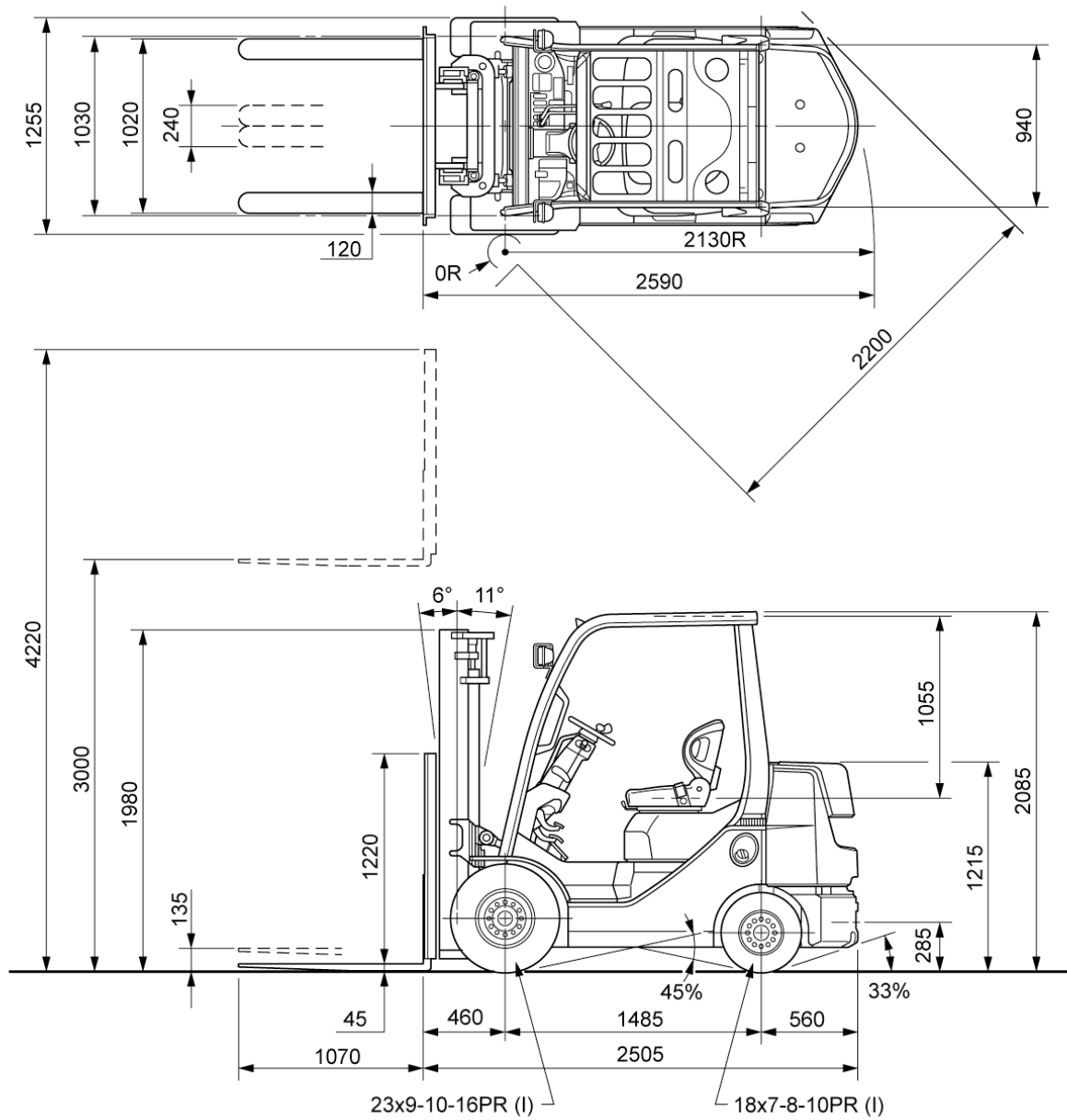
** 1DZ-II: Non-road Mobile Machinery (97/68/EC; Stage II) EPA Non-road Diesel Emissions (40 CFR Part 89; Interim Tier 2).

DIMENSIONAL DRAWINGS

(February 2011)

Unit: mm

8FGK/8FDK30



UNDERCLEARANCE

Mast (Full Load)-----	80
Drive Axle (Full Load)-----	90
Steer Axle (No Load)-----	130
Center of Wheelbase (Full Load)-----	110
Counterweight (No Load)-----	125

SPECIAL MAST

(February 2011)

Wide Visible Full-Free Lift Two-Stage Mast (FV), Wide Visible Full-Free Lift Three-Stage Mast (FSV)

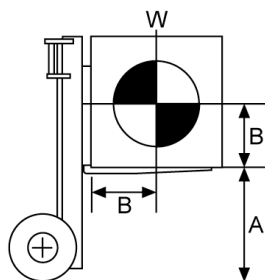
Model		8FGK30	8FDK30	8FGK30	8FDK30		
Type of Mast		FV		FSV			
PERFORMANCE							
Speeds	Lifting	Full Load	mm/sec	445	420	460	430
		No Load	mm/sec	460	460	480	465
	Lowering	Full Load	mm/sec	460		460	
		No Load	mm/sec	390		420	

DIMENSIONS

Load Distance (Centerline of front axle to front face of forks)	mm	460	480
--	----	-----	-----

RATED CAPACITIES

(April 2009)

8FGK/8FDK30

A: Max. Fork Height
B: Load Center
W: Capacity

V, FV Mast (PN)

Unit: kg (W)

A (mm)	4500	5000
500	3000	2600
	2720	2350
	2480	2150
B (mm)	800	1980
	900	1840
	1000	1710
	1100	1600
	1200	1510

V, FV Mast (PSC)

Unit: kg (W)

A (mm)	4500	5000
500	3000	2750
	2720	2490
	2480	2280
B (mm)	800	2100
	900	1950
	1000	1810
	1100	1700
	1200	1600

FSV Mast (PN)

Unit: kg (W)

A (mm)	4000	4300	4500	4700	5000	5500	6000
500	3000	2900	2800	2800	2400	1700	1200
	2720	2630	2540	2540	2170	1540	1080
	2490	2410	2320	2320	1990	1410	990
B (mm)	800	2300	2220	2140	2140	1840	1300
	900	2130	2060	1990	1990	1700	1210
	1000	1990	1920	1860	1860	1590	1120
	1100	1860	1800	1740	1740	1490	1050
	1200	1750	1690	1640	1640	1400	990

FSV Mast (PSC)

Unit: kg (W)

A (mm)	4300	4500	4700	5000	5500	6000
500	3000	2850	2850	2550	1850	1350
	2720	2580	2580	2310	1680	1220
	2490	2370	2370	2120	1530	1120
B (mm)	800	2300	2180	2180	1950	1410
	900	2130	2020	2020	1810	1310
	1000	1990	1890	1890	1690	1220
	1100	1860	1770	1770	1580	1150
	1200	1750	1660	1660	1490	1080

MAST SPECIFICATIONS & RATED CAPACITIES

(April 2009)

Wide Visible Mast (V), Wide Visible Full-Free Lift Two-Stage Mast (FV), Wide Visible Full-Free Lift Three-Stage Mast (FSV)

8FGK/8FDK30

Mast Type	Maximum Fork Height	Overall Height			Free Lift		Single Tire			
		Lowered	Extended		Without Load Backrest	With Standard Load Backrest	Tilt Range		Load Capacity at 500 mm LC	
			Without Load Backrest	With Standard Load Backrest			FWD	BWD	Pneumatic Tire	Pneumatic-Shaped Cushion Tire
mm	mm	mm	mm	mm	mm	deg	deg	kg	kg	
V	2700	1830	3405*	3920	135	135	6	11	3000	3000
	3000	1980	3705*	4220	135	135	6	11	3000	3000
	3300	2130	4005*	4520	135	135	6	11	3000	3000
	3500	2230	4205*	4720	135	135	6	11	3000	3000
	3700	2390	4405*	4920	135	135	6	11	3000	3000
	4000	2580	4705*	5220	135	135	6	11	3000	3000
	4500	2830	5205*	5720	135	135	6	6	3000	3000
	5000	3080	5705*	6220	135	135	6	6	2600	2750
FV	3000	1980	3585	4220	1400	760	6	11	3000	3000
	3300	2130	3885	4520	1550	955	6	11	3000	3000
	3500	2230	4085	4720	1650	1055	6	11	3000	3000
	3700	2390	4285	4920	1810	1215	6	11	3000	3000
	4000	2580	4585	5220	2000	1405	6	11	3000	3000
FSV	3700	1880	4285	4920	1300	660	6	6	3000	3000
	4000	1980	4585	5220	1400	760	6	6	3000	3000
	4300	2130	4885	5520	1550	910	6	6	2900	3000
	4500	2180	5085	5720	1600	960	6	6	2800	2850
	4700	2230	5285	5920	1650	1010	6	6	2800	2850
	5000	2390	5585	6220	1810	1170	6	6	2400	2550
	5500	2580	6085	6720	2000	1360	6	6	1700	1850
	6000	2830	6585	7220	2250	1610	6	6	1200	1350

NOTE: Height of standard load backrest is 1220 mm.

* with A4 piping, minus 20 mm.

8FG30

8FD30

MAIN VEHICLE SPECIFICATIONS

(January 2016)

			TOYOTA		TOYOTA			
			30-8FG30	32-8FG30	60-8FD30	62-8FD30		
1	Manufacturer							
2	Model							
3	Load Capacity		kg	3000	3000	3000		
4	Load Center		mm	500	500	500		
5	Power Type		Gasoline		Diesel			
6	Operator Position		Rider Seated		Rider Seated			
7	Tire Type		Front/Rear	Pneumatic		Pneumatic		
8	Wheels (x = driven)		Front/Rear	2x/2		2x/2		
9	Maximum Fork Height (MFH)		mm	3000	3000	3000		
10	Free Lift		mm	135	135	135		
13	Fork Size		T x W x L	45x120x1070		45x120x1070		
	Fork Spread (Outside)		MAX./MIN.	1070/240		1070/240		
14	Tilt Range		FWD/BWD	deg		6/11		
15	Length to Fork Face		mm	2775	2775	2775		
16	Overall Width		mm	1240	1240	1240		
17	Mast Lowered Height		mm	2015	2015	2015		
18	Mast Extended Height		mm	4220	4220	4220		
19	Overhead Guard Height		mm	2170	2170	2170		
21	Turning Radius (Outside)		mm	2430	2430	2430		
22	Load Distance (Centerline of front axle to front face of forks)		mm	485	485	485		
	Rear Overhang		mm	595	595	595		
23	Basic Right Angle Stacking Aisle Width (Add load length and clearance)		mm	2915	2915	2915		
24	Speeds	Travel, Max. (FWD/RVS)	Full Load	km/h	18.5/18.5	18.5/18.5	19.5/19.5	17.5/17.5 <16.0/16.0>
			No Load	km/h	19.0/19.0	19.0/19.0	20.0/20.0	18.0/18.0 <16.5/16.5>
25		Lifting	Full Load	mm/sec	510	510	500	500<440>
			No Load	mm/sec	550	550	530	530<470>
26		Lowering	Full Load	mm/sec	500	500	500	500<500>
			No Load	mm/sec	500	550	500	500<500>
28	Max. Drawbar Pull		Full Load	N (kg)	16800 (1710)	18000 (1840)	16700 (1700)	19600 (2000) <18400(1880)>
			No Load	N (kg)	10300 (1050)	10300 (1050)	10400 (1060)	10400 (1060) <10400(1060)>
	Max. Drawbar Pull at 1.5km/h *		Full Load	N (kg)	—	15300 (1560)	—	17600 (1790) <15500(1530)>
29	Gradeability at 1.5 km/h *		Full Load	% (tanθ)	—	22	—	25<24>
30	Max. Gradeability *		Full Load	% (tanθ)	23	25	23	28<27>
			No Load	% (tanθ)	20	20	20	20<20>
32	Total Weight		kg	4190	4230	4230		
33	Weight	Full Load	Front	kg	6210	6240	6240	
			Rear	kg	980	990	990	
34	Distribution	No Load	Front	kg	1470	1510	1510	
			Rear	kg	2720	2720	2720	
35	Number		Front/Rear	2/2		2/2		
36	Tires	Size	Front	28x9-15-12PR (I)		28x9-15-12PR (I)		
			Rear	6.5-10-10PR (I)		6.5-10-10PR (I)		
38	Wheelbase		mm	1700	1700	1700		
39	Tread		Front	mm	1010	1010	1010	
			Rear	mm	965	965	965	
	Backrest Height		mm	1220	1220	1220		
	Overhead Guard Clearance		mm	1055	1055	1055		
	Counterweight Height		mm	1130	1130	1130		
	Drawbar Pin Center Height		mm	335	335	335		
	Step Height/Floor Height		mm	495/730	495/730	495/730		
40	Underclearance		Min. <Mast>	mm	115	115	115	
41	(Full Load)		Center of Wheelbase	mm	185	185	185	
	Grade Clearance		Frame/Counterweight	% (tanθ)	62/49	62/49	62/49	
42	Brake		Service (Foot)	Hydraulic		Hydraulic		
43	Parking			Hand	Foot	Hand	Foot	
45	Battery		Voltage/Capacity (5HR)	V/AH	12/27	12/55	12/55	
49	Make/Model		TOYOTA/4Y		TOYOTA/1DZ-II [1DZ-III] ** <1DZ-III>***			
50	Rated Power/r.p.m.		kW (JIS ps)	43/2600 (58/2600)		44 (60) /2600 [41 (55) /2500] <36(49)/2400>		
51	Rated Torque/r.p.m.		N-m (JIS kg-m)	162/1800 (16.5/1800)		167 (17.0) /1600 [157 (16.0) /2500] <150(15.3)/2000>		
52	Number of Cylinder		4					
	Piston Displacement		cc				2237	
	Fuel Tank Capacity		liter				60	
55	Type		Manual		Powershift		Manual	
	Stage		FWD/RVS	2/2	1/1	2/2	1/1	1/1

57	Operating Pressure	For Attachments	Mpa (kg/cm ²)	15.7 (160)	15.7 (160)
----	--------------------	-----------------	---------------------------	------------	------------

NOTE: * Computed values.

** 1DZ-II: Non-road Mobile Machinery (97/68/EC; Stage II) EPA Non-road Diesel Emissions (40 CFR Part 89; Interim Tier 2).

1DZ-III: Non-road Mobile Machinery (97/68/EC; Stage IIIA) EPA Non-road Diesel Emissions (40 CFR Part 1039; Interim Tier 4).

*** 1DZ-III: Non-road Mobile Machinery (GB20891-2014; Stage III,IV)

MAIN VEHICLE SPECIFICATIONS

(January 2016)

				TOYOTA		TOYOTA
				70-8FD30	72-8FD30	82-8FD30
1	Manufacturer			TOYOTA		TOYOTA
2	Model			70-8FD30	72-8FD30	82-8FD30
3	Load Capacity	kg		3000		3000
4	Load Center	mm		500		500
5	Power Type			Diesel		Diesel
6	Operator Position			Rider Seated		Rider Seated
7	Tire Type	Front/Rear		Pneumatic		Pneumatic
8	Wheels (x = driven)	Front/Rear		2x/2		2x/2
9	Maximum Fork Height (MFH)	mm		3000		3000
10	Free Lift	mm		135		135
13	Fork Size	T x W x L		45x120x1070		45x120x1070
	Fork Spread (Outside)	MAX./MIN.		1070/240		1070/240
14	Tilt Range	FWD/BWD		deg		6/11
15	Length to Fork Face	mm		2775		2775
16	Overall Width	mm		1240		1240
17	Mast Lowered Height	mm		2015		2015
18	Mast Extended Height	mm		4220		4220
19	Overhead Guard Height	mm		2170		2170
21	Turning Radius (Outside)	mm		2430		2430
Load Distance (Centerline of front axle to front face of forks)		mm		485		485
Rear Overhang		mm		595		595
23	Basic Right Angle Stacking Aisle Width (Add load length and clearance)	mm		2915		2915
24	Travel, Max. (FWD/RVS)	Full Load	km/h	19.5/19.5	18.5/18.5	18.5/18.5
		No Load	km/h	20.0/20.0	19.0/19.0	19.0/19.0
25	Speeds	Lifting	Full Load	mm/sec	550	550
		No Load	mm/sec	570	570	570
26	Lowering	Full Load	mm/sec	500	500	500
		No Load	mm/sec	500	500	500
28	Max. Drawbar Pull	Full Load	N (kg)	19700 (2010)	19500 (1990)	19500 (1990)
		No Load	N (kg)	10600 (1080)	10600 (1080)	10600 (1080)
	Max. Drawbar Pull at 1.5km/h *	Full Load	N (kg)	—	17000 (1730)	17000 (1730)
29	Gradeability at 1.5 km/h *	Full Load	% (tanθ)	—	24	24
30	Max. Gradeability *	Full Load	% (tanθ)	27	27	27
		No Load	% (tanθ)	20	20	20
32	Total Weight	kg		4290		4290
33	Weight Distribution	Full Load	Front	kg	6270	6270
		Rear	kg	1020	1020	
34	No Load	Front	kg	1530	1530	
		Rear	kg	2760	2760	
35	Number	Front/Rear		2/2		2/2
36	Tires	Front	28x9-15-12PR (I)		28x9-15-12PR (I)	
		Rear	6.5-10-10PR (I)		6.5-10-10PR (I)	
37	Wheelbase	mm		1700		1700
39	Tread	Front	mm	1010	1010	
		Rear	mm	965	965	
Backrest Height		mm		1220		1220
Overhead Guard Clearance		mm		1055		1055
Counterweight Height		mm		1130		1130
Drawbar Pin Center Height		mm		335		335
Step Height/Floor Height		mm		495/730		495/730
40	Underclearance	Min. <Mast>		mm		115
41	(Full Load)	Center of Wheelbase		mm		185
Grade Clearance		Frame/Counterweight		% (tanθ)		62/49
42	Service (Foot)			Hydraulic		Hydraulic
43	Parking			Hand	Foot	Foot
45	Battery	Voltage/Capacity (5HR)		V/AH		12/64
49	Make/Model			TOYOTA/2Z **		TOYOTA/3Z
50	Rated Power/r.p.m.	kW (JIS ps)		49/2200 (66/2200)		42/2200 (57/2200)
51	Rated Torque/r.p.m.	N-m (JIS kg-m)		216/1600 (22.0/1600)		200/1600 (20.4/1600)
52	Number of Cylinder			4		4
	Piston Displacement	cc		3469		3469
	Fuel Tank Capacity	liter		60		60
55	Transmission	Type	Manual		Powershift	
		Stage	FWD/RVS		Powershift	
57	Operating Pressure	For Attachments		Mpa (kg/cm ²)		15.7 (160)

NOTE: * Computed values.

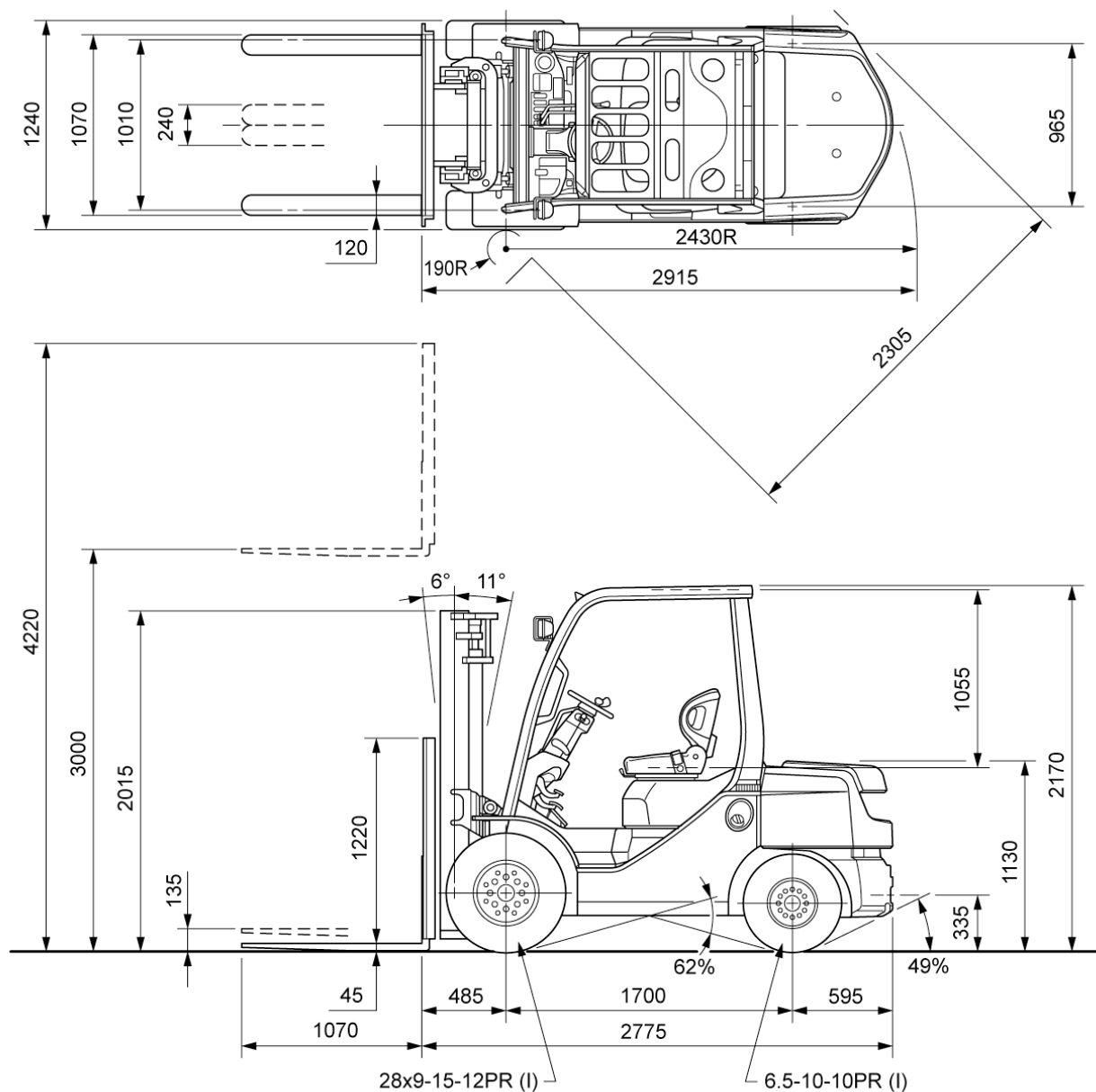
** 2Z: Non-road Mobile Machinery (97/68/EC; Stage II).

DIMENSIONAL DRAWINGS

(February 2011)

Unit: mm

8FG/8FD30



UNDERCLEARANCE

Mast (Full Load)	115
Drive Axle (Full Load)	130
Steer Axle (No Load)	180
Center of Wheelbase (Full Load)	185
Counterweight (No Load)	175

SPECIAL TREAD

(February 2011)

Model		8FG/8FD30	
Front Tire	Single/Dual	Dual	Dual
Front Tire Size		6.00-15-10PR (I)	28x8-15-12PR (I)
Overall Width	mm	1520	1675
Tread, Front	mm	1150	1240

SPECIAL MAST

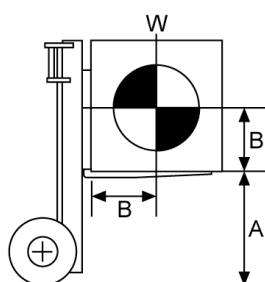
(January 2016)

Wide Visible Full-Free Lift Two-Stage Mast (FV), Wide Visible Full-Free Lift Three-Stage Mast (FSV)

Model	8FG30	60-8FD30 62-8FD30 <36kW>	70-8FD30 72-8FD30 82-8FD30	8FG30	60-8FD30 62-8FD30 <36kW>	70-8FD30 72-8FD30 82-8FD30			
Type of Mast	FV			FSV					
PERFORMANCE									
Speeds	Lifting	Full Load	mm/sec	450	445<400>	480	480	470<415>	510
		No Load	mm/sec	490	480<430>	500	520	500<445>	530
	Lowering	Full Load	mm/sec	460			460		
		No Load	mm/sec	390			420		
DIMENSIONS									
Load Distance (Centerline of front axle to front face of forks)	mm	485			495				

RATED CAPACITIES

(April 2009)

8FG/8FD30

A: Max. Fork Height
B: Load Center
W: Capacity

V, FV Mast (PN)

Unit: kg (W)

A (mm)	4500	5000
B (mm)	500	3000 [3000]
	600	2720 [2720]
	700	2500 [2500]
	800	2310 [2310]
	900	2140 [2140]
	1000	2000 [2000]
	1100	1870 [1870]
	1200	1760 [1760]
	1300	1670 [1670]

[] for dual tire models.

V, FV Mast (PSC)

Unit: kg (W)

A (mm)	4500	5000
B (mm)	500	3000 [3000]
	600	2720 [2720]
	700	2500 [2500]
	800	2310 [2310]
	900	2140 [2140]
	1000	2000 [2000]
	1100	1870 [1870]
	1200	1760 [1760]
	1300	1670 [1670]

[] for dual tire models.

FSV Mast (PN)

Unit: kg (W)

A (mm)	4700	5000	5500	6000	6500	7000	
B (mm)	500	3000	2600 [2950]	1900 [2650]	1500 [2050]	— [1600]	— [1200]
	600	2730	2360 [2680]	1730 [2410]	1360 [1860]	— [1450]	— [1090]
	700	2500	2170 [2460]	1580 [2210]	1250 [1710]	— [1330]	— [1000]
	800	2310	2000 [2270]	1460 [2040]	1150 [1580]	— [1230]	— [920]
	900	2150	1860 [2110]	1360 [1900]	1070 [1470]	— [1140]	— [860]
	1000	2010	1740 [1970]	1270 [1770]	1000 [1370]	— [1070]	— [800]
	1100	1880	1630 [1850]	1190 [1660]	940 [1290]	— [1000]	— [750]
	1200	1770	1540 [1740]	1120 [1570]	880 [1210]	— [940]	— [710]
	1300	1680	1450 [1650]	1060 [1480]	840 [1140]	— [890]	— [670]

[] for dual tire models (PN or PSC).

FSV Mast (PSC)

Unit: kg (W)

A (mm)	4700	5000	5500	6000	
B (mm)	500	3000	2750	2050	1650
	600	2730	2500	1860	1500
	700	2500	2290	1710	1370
	800	2310	2120	1580	1270
	900	2150	1970	1470	1180
	1000	2010	1840	1370	1100
	1100	1880	1730	1290	1030
	1200	1770	1630	1210	970
	1300	1680	1540	1140	920

MAST SPECIFICATIONS & RATED CAPACITIES

(April 2009)

Wide Visible Mast (V), Wide Visible Full-Free Lift Two-Stage Mast (FV), Wide Visible Full-Free Lift Three-Stage Mast (FSV)

8FG/8FD30

Mast Type	Maximum Fork Height	Overall Height			Free Lift		Single Tire				Dual Tire		
		Lowered	Extended		Without Load Backrest	With Standard Load Backrest	Tilt Range		Load Capacity at 500 mm LC		Tilt Range		Load Capacity at 500 mm LC
			Without Load Backrest	With Standard Load Backrest			FWD	BWD	Pneumatic Tire	Pneumatic-Shaped Cushion Tire	FWD	BWD	
mm	mm	mm	mm	mm	mm	deg	deg	kg	kg	deg	deg	kg	
V	2700	1865	3440*	3920	135	135	6	11	3000	3000	6	11	3000
	3000	2015	3740*	4220	135	135	6	11	3000	3000	6	11	3000
	3300	2165	4040*	4520	135	135	6	11	3000	3000	6	11	3000
	3500	2265	4240*	4720	135	135	6	11	3000	3000	6	11	3000
	3700	2425	4440*	4920	135	135	6	11	3000	3000	6	11	3000
	4000	2615	4740*	5220	135	135	6	11	3000	3000	6	11	3000
	4500	2865	5240*	5720	135	135	6	6	3000	3000	6	11	3000
FV	5000	3115	5740*	6220	135	135	6	6	2600	2750	6	6	3000
	3000	2015	3615	4220	1400	795	6	11	3000	3000	6	11	3000
	3300	2165	3915	4520	1550	945	6	11	3000	3000	6	11	3000
	3500	2265	4115	4720	1650	1045	6	11	3000	3000	6	11	3000
FSV	3700	1915	4315	4920	1300	695	6	6	3000	3000	6	6	3000
	4000	2015	4615	5220	1400	795	6	6	3000	3000	6	6	3000
	4300	2165	4915	5520	1550	945	6	6	3000	3000	6	6	3000
	4500	2215	5115	5720	1600	995	6	6	3000	3000	6	6	3000
	4700	2265	5315	5920	1650	1045	6	6	3000	3000	6	6	3000
	5000	2425	5615	6220	1810	1205	6	6	2600	2750	6	6	2950
	5500	2615	6115	6720	2000	1395	6	6	1900	2050	6	6	2650
	6000	2865	6615	7220	2250	1645	6	6	1500	1650	6	6	2050
	6500	3115	7115	7720	2500	1895	—	—	—	—	6	6	1600
7000	3365	7615	8220	2750	2145	—	—	—	—	6	6	1200	

NOTE: Height of standard load backrest is 1220 mm.

* with A4 piping, minus 20 mm.

8FGJ35

8FDJ35

MAIN VEHICLE SPECIFICATIONS

(January 2016)

				TOYOTA		TOYOTA	
				30-8FGJ35	32-8FGJ35	62-8FDJ35	
1	Manufacturer			TOYOTA		TOYOTA	
2	Model			30-8FGJ35	32-8FGJ35	62-8FDJ35	
3	Load Capacity	kg		3500		3500	
4	Load Center	mm		500		500	
5	Power Type			Gasoline		Diesel	
6	Operator Position			Rider Seated		Rider Seated	
7	Tire Type	Front/Rear		Pneumatic		Pneumatic	
8	Wheels (x = driven)	Front/Rear		2x/2		2x/2	
9	Maximum Fork Height (MFH)	mm		3000		3000	
10	Free Lift	mm		140		140	
13	Fork Size	T x W x L	mm	50x140x1070		50x140x1070	
	Fork Spread (Outside)	MAX./MIN.	mm	1070/280		1070/280	
14	Tilt Range	FWD/BWD	deg	6/11		6/11	
15	Length to Fork Face		mm	2845		2845	
16	Overall Width		mm	1290		1290	
17	Mast Lowered Height		mm	2120		2120	
18	Mast Extended Height		mm	4220		4220	
19	Overhead Guard Height		mm	2180		2180	
21	Turning Radius (Outside)		mm	2490		2490	
	Load Distance (Centerline of front axle to front face of forks)		mm	500		500	
	Rear Overhang		mm	650		650	
23	Basic Right Angle Stacking Aisle Width (Add load length and clearance)		mm	2990		2990	
24	Travel, Max. (FWD/RVS)	Full Load	km/h	19.0/19.0	19.0/19.0	18.0/18.0<16.5/16.5>	
		No Load	km/h	19.5/19.5	19.5/19.5	18.5/18.5<17.0/17.0>	
25	Speeds	Lifting	Full Load	mm/sec	410	410	410<370>
		No Load	mm/sec	450	450	450<400>	
26	Lowering	Full Load	mm/sec	500	500	500<500>	
		No Load	mm/sec	450	450	450<450>	
28	Max. Drawbar Pull	Full Load	N (kg)	16500 (1680)	17000 (1730)	18600 (1900)<17100(1740)>	
		No Load	N (kg)	10500 (1070)	10500 (1070)	10600 (1080)<10600(1080)>	
	Max. Drawbar Pull at 1.5km/h *	Full Load	N (kg)	—	13900 (1420)	16500 (1680)<14500(1480)>	
29	Gradeability at 1.5 km/h *	Full Load	% (tanθ)	—	19	20<19>	
30	Max. Gradeability *	Full Load	% (tanθ)	20	21	22<21>	
		No Load	% (tanθ)	18	18	19<19>	
32	Total Weight		kg	4770		4810	
33	Weight Distribution	Full Load	Front	kg	7200	7210	
		Rear	kg	1070	1100		
34	No Load	Front	kg	1640		1660	
		Rear	kg	3130		3150	
35	Number	Front/Rear		2/2		2/2	
36	Tires	Size	Front	250-15-16PR (I)		250-15-16PR (I)	
		Rear		6.5-10-12PR (I)		6.5-10-12PR (I)	
38	Wheelbase		mm	1700		1700	
39	Tread	Front	mm	1060		1060	
		Rear	mm	965		965	
	Backrest Height		mm	1220		1220	
	Overhead Guard Clearance		mm	1055		1055	
	Counterweight Height		mm	1130		1130	
	Drawbar Pin Center Height		mm	335		335	
	Step Height/Floor Height		mm	505/745		505/745	
40	Underclearance	Min. <Mast>	mm	130		130	
41	(Full Load)	Center of Wheelbase	mm	190		190	
	Grade Clearance	Frame/Counterweight	% (tanθ)	64/43		64/43	
42	Brake	Service (Foot)		Hydraulic		Hydraulic	
43	Parking			Hand	Foot	Foot	
45	Battery	Voltage/Capacity (5HR)	V/AH	12/27		12/55	
49	Make/Model			TOYOTA/4Y		TOYOTA/1DZ-II [1DZ-III] **<1DZ-III>***	
50	Rated Power/r.p.m.	kW (JIS ps)		43/2600 (58/2600)		44 (60) /2600 [41 (55) /2500] <36/2400(49/2400)>	
51	Rated Torque/r.p.m.	N-m (JIS kg-m)		162/1800 (16.5/1800)		167 (17.0) /1600 [157 (16.0) /2500] <150/2000(15.3/2000)>	
52	Number of Cylinder			4		4	
	Piston Displacement	cc		2237		2486	
	Fuel Tank Capacity	liter		60		60	
55	Transmission	Type		Manual	Powershift	Powershift	
	Stage	FWD/RVS		2/2	1/1	1/1	
57	Operating Pressure	For Attachments	Mpa (kg/cm ²)	15.7 (160)		15.7 (160)	

NOTE: * Computed values.

** 1DZ-II: Non-road Mobile Machinery (97/68/EC; Stage II) EPA Non-road Diesel Emissions (40 CFR Part 89; Interim Tier 2).

1DZ-III: Non-road Mobile Machinery (97/68/EC; Stage IIIA) EPA Non-road Diesel Emissions (40 CFR Part 1039; Interim Tier 4).

*** 1DZ-III: Non-road Mobile Machinery (GB20891-2014; StagelII,IV)

MAIN VEHICLE SPECIFICATIONS

(January 2016)

				TOYOTA		TOYOTA	
				70-8FDJ35	72-8FDJ35	82-8FDJ35	
1	Manufacturer						
2	Model						
3	Load Capacity	kg		3500		3500	
4	Load Center	mm		500		500	
5	Power Type			Diesel		Diesel	
6	Operator Position			Rider Seated		Rider Seated	
7	Tire Type	Front/Rear		Pneumatic		Pneumatic	
8	Wheels (x = driven)	Front/Rear		2x/2		2x/2	
9	Maximum Fork Height (MFH)	mm		3000		3000	
10	Free Lift	mm		140		140	
13	Fork Size	T x W x L	mm	50x140x1070		50x140x1070	
	Fork Spread (Outside)	MAX./MIN.	mm	1070/280		1070/280	
14	Tilt Range	FWD/BWD	deg	6/11		6/11	
15	Length to Fork Face		mm	2845		2845	
16	Overall Width		mm	1290		1290	
17	Mast Lowered Height		mm	2120		2120	
18	Mast Extended Height		mm	4220		4220	
19	Overhead Guard Height		mm	2180		2180	
21	Turning Radius (Outside)		mm	2490		2490	
	Load Distance (Centerline of front axle to front face of forks)		mm	500		500	
	Rear Overhang		mm	650		650	
23	Basic Right Angle Stacking Aisle Width (Add load length and clearance)		mm	2990		2990	
24	Travel, Max. (FWD/RVS)	Full Load	km/h	19.0/19.0	19.0/19.0	19.0/19.0	
		No Load	km/h	19.5/19.5	19.5/19.5	19.5/19.5	
25	Speeds	Lifting	Full Load	mm/sec	440	440	440
		No Load	mm/sec	460	460	460	
26	Lowering	Full Load	mm/sec	500	500	500	
		No Load	mm/sec	450	450	450	
28	Max. Drawbar Pull	Full Load	N (kg)	19500 (1990)	18500 (1890)	18500 (1890)	
		No Load	N (kg)	10700 (1090)	10700 (1090)	10700 (1090)	
	Max. Drawbar Pull at 1.5km/h *	Full Load	N (kg)	—	16000 (1630)	16000 (1630)	
29	Gradeability at 1.5 km/h *	Full Load	% (tanθ)	—	20	20	
30	Max. Gradeability *	Full Load	% (tanθ)	24	22	22	
		No Load	% (tanθ)	19	19	19	
32	Total Weight		kg	4870		4870	
33	Weight Distribution	Full Load	Front	kg	7240	7240	
		Rear	kg	1130	1130		
34	No Load	Front	kg	1680	1680		
		Rear	kg	3190	3190		
35	Number	Front/Rear		2/2		2/2	
36	Tires	Front		250-15-16PR (I)		250-15-16PR (I)	
		Rear		6.5-10-12PR (I)		6.5-10-12PR (I)	
37	Wheelbase		mm	1700		1700	
39	Tread	Front	mm	1060		1060	
		Rear	mm	965		965	
	Backrest Height		mm	1220		1220	
	Overhead Guard Clearance		mm	1055		1055	
	Counterweight Height		mm	1130		1130	
	Drawbar Pin Center Height		mm	335		335	
	Step Height/Floor Height		mm	505/745		505/745	
40	Underclearance	Min. <Mast>	mm	130		130	
41	(Full Load)	Center of Wheelbase	mm	190		190	
	Grade Clearance	Frame/Counterweight	% (tanθ)	64/43		64/43	
42	Brake	Service (Foot)		Hydraulic		Hydraulic	
43	Parking			Hand	Foot	Foot	
45	Battery	Voltage/Capacity (5HR)	V/AH	12/64		12/70	
49	Make/Model			TOYOTA/2Z **		TOYOTA/3Z	
50	Rated Power/r.p.m.		kW (JIS ps)	49/2200 (66/2200)		42/2200 (57/2200)	
51	Rated Torque/r.p.m.		N-m (JIS kg-m)	216/1600 (22.0/1600)		200/1600 (20.4/1600)	
52	Internal Combustion Engine	Number of Cylinder		4		4	
		Piston Displacement	cc	3469		3469	
		Fuel Tank Capacity	liter	60		60	
55	Transmission	Type		Manual	Powershift	Powershift	
		Stage	FWD/RVS		2/2	1/1	1/1
57	Operating Pressure	For Attachments	Mpa (kg/cm ²)	15.7 (160)		15.7 (160)	

NOTE: * Computed values.

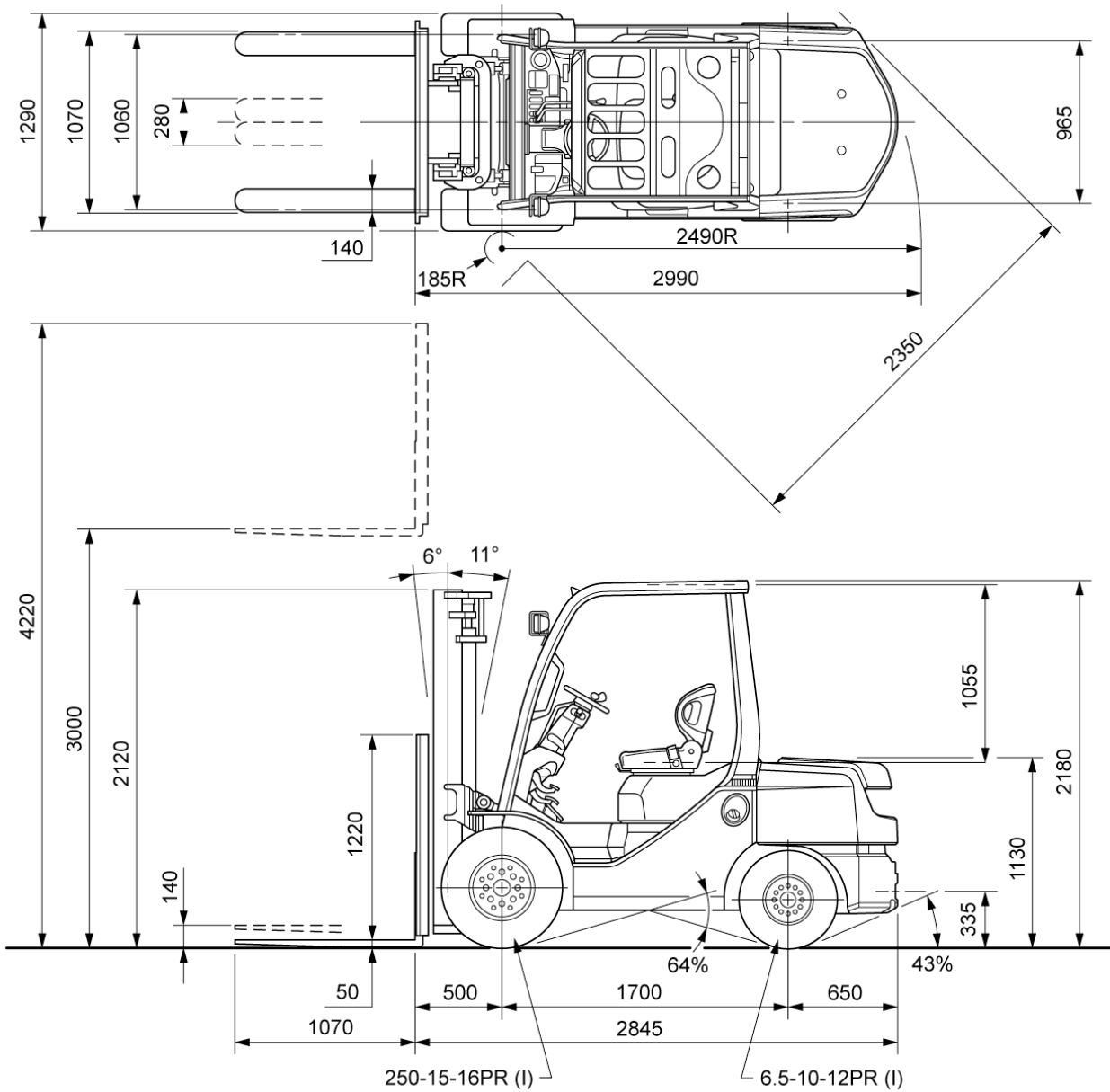
** 2Z: Non-road Mobile Machinery (97/68/EC; Stage II).

DIMENSIONAL DRAWINGS

(February 2011)

Unit: mm

8FGJ/8FDJ35



UNDERCLEARANCE

- Mast (Full Load)----- 130
- Drive Axle (Full Load)----- 140
- Steer Axle (No Load)----- 180
- Center of Wheelbase (Full Load)----- 190
- Counterweight (No Load)----- 170

SPECIAL TREAD

(February 2011)

Model		8FGJ/8FDJ35	
Front Tire	Single/Dual	Dual	Dual
Front Tire Size		6.00-15-10PR (I)	28x8-15-12PR (I)
Overall Width	mm	1525	1715
Tread, Front	mm	1155	1290

SPECIAL MAST

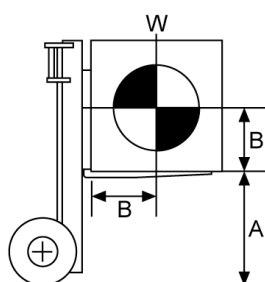
(January 2016)

Wide Visible Full-Free Lift Two-Stage Mast (FV), Wide Visible Full-Free Lift Three-Stage Mast (FSV)

Model	8FGJ35	62-8FDJ35 <36kW>	70-8FDJ35 72-8FDJ35 82-8FDJ35	8FGJ35	62-8FDJ35 <36kW>	70-8FDJ35 72-8FDJ35 82-8FDJ35			
Type of Mast	FV			FSV					
PERFORMANCE									
Speeds	Lifting	Full Load	mm/sec	420	420<340>	450	400	400<355>	430
		No Load	mm/sec	460	460<360>	480	440	440<380>	460
	Lowering	Full Load	mm/sec	460			460		
		No Load	mm/sec	390			390		
DIMENSIONS									
Load Distance (Centerline of front axle to front face of forks)	mm	500			510				

RATED CAPACITIES

(April 2009)

8FGJ/8FDJ35

A: Max. Fork Height
B: Load Center
W: Capacity

V, FV Mast (PN)

Unit: kg (W)

A (mm)	4500	5000
B (mm)	500	3500 [3400]
	600	3180 [3090]
	700	2920 [2840]
	800	2700 [2620]
	900	2510 [2440]
	1000	2340 [2280]
	1100	2200 [2140]
	1200	2070 [2010]
	1300	1960 [1900]

[] for dual tire models.

V, FV Mast (PSC)

Unit: kg (W)

A (mm)	4500	5000
B (mm)	500	3500 3400
	600	3180 3090
	700	2920 2840
	800	2700 2620
	900	2510 2440
	1000	2340 2280
	1100	2200 2140
	1200	2070 2010
	1300	1960 1900

FSV Mast (PN or PSC)

Unit: kg (W)

A (mm)	4300	4500	4700	5000	5500	6000	6500	7000	
B (mm)	500	3500	3400	3400	3300	2700 [3200]	2000 [2400]	— [1650]	— [900]
	600	3190	3100	3100	3000	2460 [2910]	1820 [2180]	— [1500]	— [820]
	700	2930	2840	2840	2760	2260 [2680]	1670 [2010]	— [1380]	— [750]
	800	2710	2630	2630	2550	2090 [2480]	1550 [1860]	— [1270]	— [690]
	900	2520	2450	2450	2380	1940 [2300]	1440 [1730]	— [1190]	— [640]
	1000	2350	2290	2290	2220	1820 [2150]	1340 [1610]	— [1110]	— [600]
	1100	2210	2150	2150	2080	1700 [2020]	1260 [1510]	— [1040]	— [560]
	1200	2080	2020	2020	1960	1610 [1900]	1190 [1430]	— [980]	— [530]
	1300	1970	1910	1910	1860	1520 [1800]	1120 [1350]	— [930]	— [500]

[] for dual tire models.

MAST SPECIFICATIONS & RATED CAPACITIES

(April 2009)

Wide Visible Mast (V), Wide Visible Full-Free Lift Two-Stage Mast (FV), Wide Visible Full-Free Lift Three-Stage Mast (FSV)

8FGJ/8FDJ35

Mast Type	Maximum Fork Height	Overall Height				Free Lift		Single Tire				Dual Tire		
		Lowered	Extended		Without Load Backrest	With Standard Load Backrest	Tilt Range		Load Capacity at 500 mm LC		Tilt Range		Load Capacity at 500 mm LC	
			Without Load Backrest	With Standard Load Backrest			FWD	BWD	Pneumatic Tire	Pneumatic-Shaped Cushion Tire	FWD	BWD		
														Pneumatic Tire
mm	mm	mm	mm	mm	mm	deg	deg	kg	kg	deg	deg	kg		
V	2700	2000	3570	3920	140	140	6	11	3500	3500	6	11	3500	
	3000	2120	3870	4220	140	140	6	11	3500	3500	6	11	3500	
	3300	2300	4170	4520	140	140	6	11	3500	3500	6	11	3500	
	3500	2400	4370	4720	140	140	6	11	3500	3500	6	11	3500	
	3700	2500	4570	4920	140	140	6	11	3500	3500	6	11	3500	
	4000	2750	4870	5220	140	140	6	11	3500	3500	6	11	3500	
	4500	3000	5370	5720	140	140	6	6	3500	3500	6	11	3500	
	5000	3250	5870	6220	140	140	6	6	3300	3400	6	6	3400	
FV	3000	2120	3735	4220	1395	910	6	11	3500	3500	6	11	3500	
	3300	2300	4035	4520	1575	1090	6	11	3500	3500	6	11	3500	
	3500	2400	4235	4720	1675	1190	6	11	3500	3500	6	11	3500	
	3700	2500	4435	4920	1775	1290	6	11	3500	3500	6	11	3500	
	4000	2750	4735	5220	2025	1540	6	11	3500	3500	6	11	3500	
FSV	3700	2030	4435	4920	1305	820	6	6	3500	3500	6	6	3500	
	4000	2180	4735	5220	1455	970	6	6	3500	3500	6	6	3500	
	4300	2230	5035	5520	1505	1020	6	6	3500	3500	6	6	3500	
	4500	2280	5235	5720	1555	1070	6	6	3400	3400	6	6	3400	
	4700	2440	5435	5920	1715	1230	6	6	3400	3400	6	6	3400	
	5000	2630	5735	6220	1905	1420	6	6	3300	3300	6	6	3300	
	5500	2880	6235	6720	2155	1670	6	6	2700	2850	6	6	3200	
	6000	3130	6735	7220	2405	1920	6	6	2000	2150	6	6	2400	
	6500	3380	7235	7720	2655	2170	—	—	—	—	6	6	1650	
	7000	3630	7735	8220	2905	2420	—	—	—	—	6	6	900	

NOTE: Height of standard load backrest is 1220 mm.

8FG/8FD10.15.18.20.25.30 8FGK/8FDK20.25.30, 8FGJ/8FDJ35

NOTE:

- 1) Must specify A20L for 2870 mm mast. Includes M09A (Not necessary to specify).
- 2) 6500 mm and 7000 mm mast is only available for dual tire models (F00C, F00D).
- 3) Not necessary to specify when selecting B30H, B30J and M00F.
- 4) Must specify M41B when backrest is required when selecting FV mast.
- 5) Cannot be combined with B11A (2Z engine models only), H00X, H02C, H34A.

- 6) Must enter together with A41A, C11D (Gasoline engine only), L26B. Includes D05A for Diesel engine models (Not necessary to specify).
- 7) Must enter together with one of C01D, I, N, P. Must specify C20O.
- 8) Must enter together with one of C01D, I, N, P.
- 9) 1 ton series: 15 kg cylinder, 2-3 ton series: 20 kg cylinder.
- 10) Must enter together with C00A or C00B. Must specify C20O. Must specify C06B when select H34A, H02C, H00X.
- 11) Must enter together with C00A or C00B. Must specify C06B when select H34A, H02C, H00X.
- 12) Must enter together with C00A or C00B and either C01N or C01P.
- 13) Must enter together with C00B, C01N. Must Specify C20O.

- 14) The vehicle-mounted cylinder is a spare cylinder.
- 15) Must enter together with H34A or H02C or H00X. Must enter together with C00A or C00B.
- 16) Must enter together with A41A.
- 17) Must enter together with C00A or C00B. Must specify C06B when select H34A, H02C, H00X. Cannot be combined with C00D or C04C or C11D (Already installed).
- 18) Must enter together with C00A or C00B.
- 19) Includes D05A. (Not necessary to specify) 1DZ model Includes D20A (Not necessary to specify).
- 20) Must specify C21A.
- 21) Cannot be combined with A460, A461, A465, A466.
- 22) Must enter together with E45A or E45B.
- 23) Must specify A41A, C11D (Gasoline engine only).

- 24) Available for 4300 to 4700 mm FSV mast (Except 2.0 and 2.5 ton 4300 mm mast model).
- 25) Must enter together with A41A.
- 26) Must enter together with one of A451, A461, A466, A401, A406.
- 27) Cannot be combined with F00C, F00D.
- 28) Must specify J24K, J10B.
- 29) Cannot be combined with H00X, H34A, H02C, H02D.

- 30) Includes H02D (Not necessary to specify). Must specify C06B when select C01D-C01P.
- 31) Includes D05A for Diesel engine models (Not necessary to specify).
- 32) Must enter one of (H34A, H00X, H02C, H02I) together with H11A.
- 33) Includes H02D (Not necessary to specify). Must specify C06B when select C01D-C01P.
- 34) Must enter together with A41A, C11D, L26A/B. Includes S04A (Not necessary to specify). When combined with G41F, S04A is not installed. Cannot be combined with A460, A461, A465, A466.
- 35) Cannot be combined with G41F.

- 36) Cannot be combined with A10B.
- 37) Must specify S31A. Must specify A13A for Israel.
- 38) Must specify A10B, C31A.
- 39) Includes M33A (Not necessary to specify).
- 40) Includes D20A (Not necessary to specify).
- 41) Cannot be combined with A4 piping. Includes D20A (Not necessary to specify).
- 42) Must enter together with E01A (Manual transmission models only). Under cover is equipped as standard.
- 43) Must specify S31A. Must specify C31A for (62-) models.
- 44) Must specify A95B.
- 45) Includes D20A and D05A (Not necessary to specify).
- 46) Only 2Z engine models includes [K35A] (Not necessary to specify). Under cover is equipped as standard.
- 47) Includes M09A (Not necessary to specify). Cannot be combined with A4 piping.
- 48) Includes M09A (Not necessary to specify). Cannot be combined with A4 piping. Must specify K35A.
- 49) Not available with Mast, B/R & ATT Specified Color [R40A].
- 50) Under cover is equipped as standard.
- 51) Must specify C04E for Malaysia.
- 52) Must specify J20B or J24K & K21D or K21K. Must specify J21A & S31C. 62-model: Must specify C31A & C25C
- 54) Must specify J24L.

- 55) Must specify A10R & C31A.

★ Please see the "Matching Options".

☆ Please see the chart below for the item.

STANDARD EQUIPMENT*(January 2013)***8FG10.15.18.20.25.30, 8FGK20.25.30, 8FGJ35**

● Wide Visible Mast (V) [MFH: 3000 mm] ● Load backrest (V and FSV masts) [Height: 1220 mm] ● Easy-down system (V mast) ● Alternator with IC regulator ● Same key for multiple forklifts ● 7" cyclone air cleaner with snorkel air intake ● Radiator reservoir tank ● Operator Presence Sensing System (OPS) ● Dual-action parking brake [Manual transmission models] ● Foot-activated parking brake [Powershift transmission models] ● Assist grip ● Neutral safety switch ● Electronic shift control ● Full hydraulic power steering ● Overhead guard sheet ● Overhead guard ● Rain gutter ● Hidden tilt cylinder ● Tilt cylinder boots ● Tilt steering column ● Engine hood damper (lockable) ● Jack point ● Drawbar pin ● Engine hood insulation ● Headlights ● Headlights guard ● Integrated light & Turn signal switch ● Hour Meter ● Engine water temperature indicator ● All-time fuel meter ● Engine oil pressure warning light ● Charge warning light ● Electric horn ● Storage area

8FD10.15.18.20.25.30, 8FDK20.25.30, 8FDJ35

● Wide Visible Mast (V) [MFH: 3000 mm] ● Load backrest (V and FSV masts) [Height: 1220 mm] ● Easy-down system (V mast) ● Alternator with IC regulator ● Intake heater (2Z engine models) ● Super glow control system (1DZ-II/1DZ-III engine models) ● Sedimenter ● Same key for multiple forklifts ● 7" cyclone air cleaner with snorkel air intake ● Radiator reservoir tank ● Operator Presence Sensing System (OPS) ● Dual-action parking brake [Manual transmission models] ● Foot-activated parking brake [Powershift transmission models] ● Assist grip ● Neutral safety switch ● Electronic shift control ● Full hydraulic power steering ● Overhead guard sheet ● Overhead guard ● Rain gutter ● Hidden tilt cylinder ● Tilt cylinder boots ● Tilt steering column ● Engine hood damper (lockable) ● Jack point ● Drawbar pin ● Engine hood insulation ● Headlights ● Headlights guard ● Integrated light & Turn signal switch ● Hour Meter ● Engine water temperature indicator ● All-time fuel meter ● Engine oil pressure warning light ● Charge warning light ● Pre-heat indicator light ● Sedimenter warning light ● Electric horn ● Storage area

FULLY OIL CHARGED LIFT CYLINDER*(January 2013)*

Model	Mast Type	
8FG/8FD10.15.18.20.25.30	V	●
8FGK/8FDK20.25.30	FV	○
8FGJ/8FDJ35	FSV	●

INDEX: ○ Standard / ● Available

MAST INTERCHANGEABILITY

(January 2013)

Model		Mast Type																			
		8FG/8FD10						8FG/8FD15						8FG/8FD18							
		V		FSV		FV		V		FSV		FV		V		FSV		FV			
2 Way C/V	A4 Piping	2 Way C/V	A4 Piping	2 Way C/V	A4 Piping	2 Way C/V	A4 Piping	2 Way C/V	A4 Piping	2 Way C/V	A4 Piping	2 Way C/V	A4 Piping	2 Way C/V	A4 Piping	2 Way C/V	A4 Piping	2 Way C/V	A4 Piping		
8FG/8FD10	2 Way C/V	●	●	●	●	●	●	●	●	●	●	●	●	●	●	●	●	●	●	●	
	A4 Piping		●		●		●		●		●		●		●		●		●		●
8FG/8FD15	2 Way C/V	●	●	●	●	●	●	●	●	●	●	●	●	●	●	●	●	●	●	●	
	A4 Piping		●		●		●		●		●		●		●		●		●		●
8FG/8FD18	2 Way C/V		●		●		●		●		●		●		●		●		●		●
	A4 Piping		●		●		●		●		●		●		●		●		●		●

INDEX: ● Available

Model		Mast Type					
		8FGK/8FDK20.25					
		V		FSV		FV	
2 Way C/V	A4 Piping	2 Way C/V	A4 Piping	2 Way C/V	A4 Piping		
8FGK/8FDK20.25	2 Way C/V	●	●	●	●	●	●
	A4 Piping		●		●		●

INDEX: ● Available

Model		Mast Type					
		8FGK/8FDK30					
		V		FSV		FV	
2 Way C/V	A4 Piping	2 Way C/V	A4 Piping	2 Way C/V	A4 Piping		
8FGK/8FDK30	2 Way C/V	●	●	●	●	●	●
	A4 Piping		●		●		●

INDEX: ● Available

Model		Mast Type					
		8FG/8FD20.25					
		V		FSV		FV	
2 Way C/V	A4 Piping	2 Way C/V	A4 Piping	2 Way C/V	A4 Piping		
8FG/8FD20.25	2 Way C/V	●	●	●	●	●	●
	A4 Piping		●		●		●

INDEX: ● Available

Model		Mast Type					
		8FG/8FD30					
		V		FSV		FV	
2 Way C/V	A4 Piping	2 Way C/V	A4 Piping	2 Way C/V	A4 Piping		
8FG/8FD30	2 Way C/V	●	●	●	●	●	●
	A4 Piping		●		●		●

INDEX: ● Available

Model		Mast Type					
		8FG/8FD30					
		V		FSV		FV	
2 Way C/V	A4 Piping	2 Way C/V	A4 Piping	2 Way C/V	A4 Piping		
8FGJ/8FDJ35	2 Way C/V	●		●		●	
	A4 Piping	●		●		●	

INDEX: ● Available

NOTE: ● Mast may be interchanged with models within the same group.

<Important Notice>

Mast is incompatible with model before Aug. '09 production and after Aug. '09 production.

MAST WEIGHT

(April 2009)

Mast Type	Maximum Fork Height	Model				
		8FG/8FD10.15.18	8FGK/8FDK20.25	8FG/8FD20.25	8FGK/8FDK30 8FG/8FD30	8FGJ/8FDJ35
		mm	kg	kg	kg	kg
V	3000	370	440	440	550	640
	2700	350	420	460	530	620
	3300	400	460	510	580	670
	3500	410	480	520	600	700
	3700	430	500	550	620	720
	4000	480	550	600	680	790
	4500	540	600	660	740	860
FV	5000	570	640	700	780	900
	3000	400	450	500	560	670
	3300	420	470	520	580	700
	3500	430	490	540	600	740
	3700	450	510	560	620	760
FSV	4000	500	550	610	680	830
	3700	500	590	650	740	850
	4000	520	610	670	770	880
	4300	540	630	690	810	900
	4500	560	640	710	820	910
	4700	570	650	730	830	950
	5000	590	670	750	870	1060
	5500	630	710	790	960	1120
	6000	700	790	870	1020	1190
	6500	750	—	920	1080	1260
7000	800	—	980	1140	1330	

CAUTION:

The figures are without load backrest and forks.

The figures presented in this chart have been rounded off to the nearest number.

Use caution when applying them to specific products.

LONG FORKS

(April 2009)

Unit: mm

Model	Length	Width	Thickness	Long Forks
8FG/8FD10	770	100	30	●
	920			●
	1070			○
	1220		35	●
	1370			●
	1520			●
8FG/8FD15.18	850	100	35	●
	920			●
	1070			○
	1220			●
	1370			●
	1520			●
8FGK/8FDK20 8FG/8FD20	920	120	38	●
	1070			○
	1220			●
	1370		42	●
	1520			●
	1670			●
8FGK/8FDK25 8FG/8FD25	1820	120	42	●
	920			●
	1070			○
	1220			●
	1370			●
	1520			●
8FGK/8FDK30 8FG/8FD30	1670	120	45	●
	1820			●
	920			●
	1070			○
	1220			●
	1370			●
8FGJ/8FDJ35	1520	140	50	●
	1670			●
	920			●
	1070			○
	1220			●
	1370			●

INDEX: ○ Standard / ● Available

SLEEVED FORKS

(April 2009)

Unit: mm

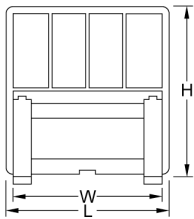
Model	Length	Sleeved Fork Length				
		1220	1370	1520	1670	1820
8FG/8FD10	770					
	920					
	1070	●	●	●		
	1220		●	●	●	●
	1370			●	●	●
	1520					
8FG/8FD15.18	850					
	920					
	1070	●	●	●		
	1220		●	●	●	●
	1370			●	●	●
	1520					
8FGK/8FDK20 8FG/8FD20	920					
	1070	●	●	●		
	1220		●	●	●	●
	1370			●	●	●
	1520					
	1670					
8FGK/8FDK25 8FG/8FD25	1820					
	920					
	1070	●	●	●		
	1220		●	●	●	●
	1370			●	●	●
	1520					
8FGK/8FDK30 8FG/8FD30	1670					
	1820					
	920					
	1070	●	●	●		
	1220		●	●	●	●
	1370			●	●	●

Model	Length	Sleeved Fork Length				
		1220	1370	1520	1670	1820
8FGK/8FDK30 8FG/8FD30	920					
	1070	●	●	●		
	1220		●	●	●	●
	1370			●	●	●
	1520					
	1670					
	1820					
	1970					
8FGJ/8FDJ35	920					
	1070	●	●	●		
	1220		●	●	●	●
	1370			●	●	●
	1520					
	1670					

INDEX: ● Available

LONG FORKBAR AND HIGH LOAD BACKREST

(January 2008)



L: Outside width of load backrest
 W: Length of forkbar
 H: Height of load backrest
 This picture is angle shape load backrest.

Unit: mm

Model	H	L*	1050	1150	1200	1300	1450	1600
		W	920	1020	1070	1170	1320	1470
8FG/8FD 10.15.18	920		●	●		●	●	●
	1070		●	●		●	●	●
	1220		○	●		●	●	●
	1370		●					
	1520		●					
	1670		●					
	1820		●					
8FGK/8FDK20.25 8FG/8FD20.25	920			●		●	●	●
	1070			●		●	●	●
	1220			○		●	●	●
	1370			●				
	1520			●				
	1670			●				
	1820			●				
8FGK/8FDK30 8FG/8FD30 8FGJ/8FDJ35	920				●	●	●	●
	1070				●	●	●	●
	1220				○	●	●	●
	1370				●			
	1520				●			
	1670				●			
1820				●				

INDEX: ○ Standard / ● Available

NOTE: * Dimintions are angle shape load backrest
 Plus 50 mm to the length of the forkbar when optional Flat Steel Type backrest is selected.

AVAILABILITY OF LPG FUEL SYSTEM CHART

(January 2008)

(Common for Exclusive Type and Convertible Type)

Item	Model	8FG10	8FG15.18	8FGK20.25 8FG20.25	8FGK30 8FG30	8FGJ35
	Engine Model	4Y	4Y	4Y	4Y	4Y
Damper Assisted Swing Down Bracket		○	○	○	○	○
LPG Fuel System Regulator		○	○	○	○	○
LPG Fuel System with Drain-equipped Regulator (1)		●	●	●	●	●
Fine Filter		○	○	○	○	○
Engine Speed Sensor LPG Cutoff Device		○	○	○	○	○
Without Bracket		●	●	●	●	●
Cylinder 15 kg with Level Gauge		●	●	●	●	●
Without LPG Cylinder 15 kg		●	●	●	●	●
Cylinder 20 kg with Level Gauge		●	●	●	●	●
Without LPG Cylinder 20 kg		●	●	●	●	●
LPG Remaining Fuel Warning Device		●	●	●	●	●
LPG Connector Valve		●	●	●	●	●

INDEX: ○ Standard / ● Available

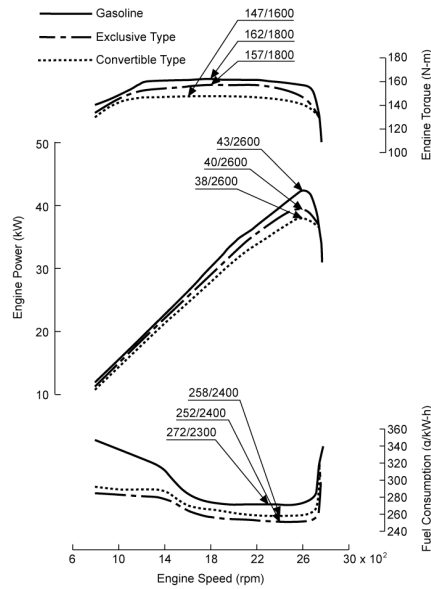
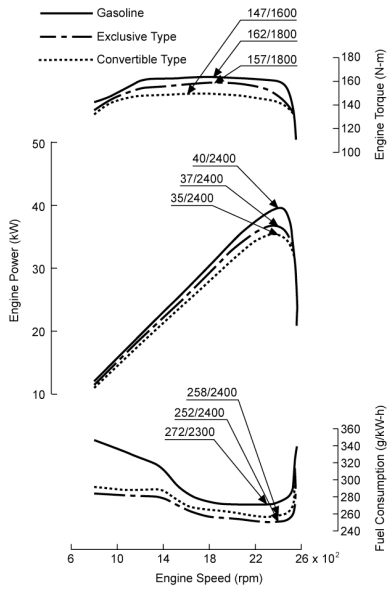
NOTE: (1) Selecting the 3-way catalytic converter system as an option causes the drain-equipped regulator to be installed.

ENGINE PERFORMANCE CURVE (LP-GAS)

(January 2008)

4Y Engine (1-2 Ton Series)

4Y Engine (3 Ton Series)



HIGH CAPACITY ALTERNATOR

(May 2009)

Model		8FG/8FD10.15.18.20.25.30 8FGJ/8FDJ35
Standard	(V-A)	12-50 (12-60)
High Capacity	(V-A)	12-60 (12-70)

() for 4Y engine models.

TIRE AVAILABILITY

(May 2009)

Model	Tire Arrangement		Pneumatic Tire			
			Tire Size	Rim Size (Type)	J-Lug	Long Life (J-Lug)
8FG/8FD10	Front	Single	6.00-9-10PR	4.00Ex9DT (Divided)	○	●
			6.50-10-10PR	5.00Fx10DT (Divided)	●	●
	Rear	Dual	4.50-12-8PR	3.50Dx12DC (Drop-Center)	●	●
			5.00-8-8PR	3.00x8DT (Divided) 3.00x8TB (Side-Ring)	○ ●	● ●
8FG/8FD15.18	Front	Single	6.50-10-10PR	5.00Fx10DT (Divided)	○	●
			21x8-9-10PR	6.00Ex9TB (Side-Ring)	●	●
	Rear	Dual	4.50-12-8PR	3.50Dx12DC (Drop-Center)	●	●
			5.00-8-8PR	3.00x8DT (Divided) 3.00x8TB (Side-Ring)	○ ●	● ●
8FGK/8FDK20.25	Rear	Single	21x8-9-14PR	6.00Ex9 TB (Side-Ring)	○	
			18x7-8-10PR	4.25x8 DT (Divided)	○	
			18x7-8-16PR	4.33Rx8 TB (Side-Ring)	●	
8FG/8FD20.25	Front	Single	7.00-12-12PR	5.00Sx12DT (Divided)	○	●
			Dual	5.50-15-8PR	4.50Ex15SDC (Drop-Center)	●
	Rear	Dual		7.00-12-12PR	5.00Sx12TB (Side-Ring)	●
			6.00-9-10PR	4.00Ex9DT (Divided) 4.00Ex9TB (Side-Ring)	○ ●	● ●
8FGK/8FDK30	Front	Single	23x9-10-16PR	6.50Fx10 TB (Side-Ring)	○	
	Rear		18x7-8-16PR	4.33Rx8 TB (Side-Ring)	○	
8FG/8FD30	Front	Single	28x9-15-12PR	7.00Tx15IR (Side-Ring)	○	●
			Dual	6.00-15-10PR	4.50Ex15SDC (Drop-Center)	●
	Rear	Dual		28x8-15-12PR	6.00Sx15IR (Side-Ring)	●
			6.50-10-10PR	5.00Fx10DT (Divided) 5.00Fx10TB (Side-Ring)	○ ●	● ●
			6.50-10-12PR	5.00Fx10TB (Side-Ring)	●	●
8FGJ/8FDJ35	Front	Single	250-15-16PR	7.00Tx15 IR (Side-Ring)	○	●
			Dual	6.00-15-10PR	4.50Ex15SDC (Drop-Center)	●
	Rear	Dual		28x8-15-12PR	6.00Sx15IR (Side-Ring)	●
			6.50-10-12PR	5.00Fx10TB (Side-Ring)	○	●

INDEX: ○ Standard / ● Available

Model	Tire Arrangement		Pneumatic-Shaped Cushion Tire			
			Tire Size	Rim Size (Type)	J-Lug	White Tire
8FG/8FD10	Front	Single	6.00-9	4.00Ex9DT (Divided)	●	●
		Dual	4.50-12	3.00Dx12SDC (Drop-Center)	●	
	Rear		5.00-8	3.00x8DT (Divided) 3.00x8TB (Side-Ring)	● ●	●
8FG/8FD15.18	Front	Single	6.50-10	5.00Fx10DT (Divided)	●	●
			21x8-9	6.00Ex9TB (Side-Ring)	●	
	Rear	Dual	4.50-12	3.00Dx12SDC (Drop-Center)	●	
			5.00-8	3.00x8DT (Divided) 3.00x8TB (Side-Ring)	● ●	●
8FGK/8FDK20.25	Rear	Single	21x8-9	6.00Ex9 TB (Side-Ring)	●	●
			18x7-8	4.25 x8 DT (Divided) 4.33Rx8 TB (Side-Ring)	● ●	●
	Front	Single	7.00-12	5.00Sx12DT (Divided)	●	●
8FG/8FD20.25	Front	Dual	5.50-15	4.50Ex15SDC (Drop-Center)	●	
			7.00-12	5.00Sx12TB (Side-Ring)	●	
		Rear		6.00-9	4.00Ex9DT (Divided)	●
	Rear		6.50-10	5.00Fx10DT (Divided)	● 1)	● 1)
			6.00-9	4.00Ex9TB (Side-Ring)	●	
8FGK/8FDK30	Front	Single	23x9-10	6.50Fx10 TB (Side-Ring)	●	●
	Rear		18x7-8	4.33Rx8 TB (Side-Ring)	●	●
8FG/8FD30	Front	Single	28x9-15	7.00Tx15IR (Side-Ring)	●	●
		Dual	6.00-15	4.50Ex15SDC (Drop-Center)	●	
			7.00-15/6.00	6.00Sx15IR (Side-Ring)	●	
	Rear		6.50-10	5.00Fx10DT (Divided) 5.00Fx10TB (Side-Ring)	● ●	●
8FGJ/8FDJ35	Front	Single	250-15/7.00	7.00Tx15 IR (Side-Ring)	●	●
		Dual	6.00-15	4.50Ex15SDC (Drop-Center)	●	
			7.00-15/6.00	6.00Sx15IR (Side-Ring)	●	
	Rear		6.50-10	5.00Fx10TB (Side-Ring)	●	●

INDEX: ● Available

NOTE: 1) Not available on model 8FG/8FD20

NOTE: For other matching please consult us.