

# Reach truck 1.4 - 2.5 ton



## BT reflex

*R & E-series*

RRE140H/HE

RRE160H/HE

RRE180H/HE

RRE200H/HE

RRE250H/HE



# Reach truck

Identification	1.1	Manufacturer			Toyota	Toyota	Toyota	Toyota	Toyota	
	1.2	Model			RRE140H/HE	RRE160H/HE	RRE180H/HE	RRE200H/HE	RRE250H/HE	
	1.3	Drive			Electric	Electric	Electric	Electric	Electric	
	1.4	Operator type			Seated	Seated	Seated	Seated	Seated	
	1.5	Load capacity/rated load	Q	kg	1400	1600	1800	2000	2500	
	1.6	Load centre	c	mm	600	600	600	600	600	
	1.8	Load distance, centre of support arm wheel to face of fork	x	mm	310 *	394 *	373 *	433 *	388 *	
	1.9	Wheelbase	y	mm	1311	1395	1455	1515	1575	
	Weight	2.1	Service weight including battery			kg	3390	3422	3719	3902
2.3		Axle load, mast retracted without load, drive/support arm wheel			kg	2051/1339	2123/1298	2333/1387	2479/1423	2673/1597
2.4		Axle load, mast extended with load, drive/support arm wheel			kg	651/4138	607/4414	627/4892	675/5227	524/6245
2.5		Axle load, mast retracted with load, drive/support arm wheel			kg	1721/3069	1887/3134	2168/3351	2382/3520	2602/4168
Wheels		3.1	Drive/support arm wheel			Vulkollan®/ Vulkollan®	Vulkollan®/ Vulkollan®	Vulkollan®/ Vulkollan®	Vulkollan®/ Vulkollan®	Vulkollan®/ Vulkollan®
	3.2	Wheel size, front		mm	ø 350x140	ø 350x140	ø400x160	ø400x160	ø400x160	
	3.3	Wheel size, rear		mm	ø 300x106	ø 300x106	ø350x106	ø350x106	ø350x106	
	3.5	Wheels, number front/rear (x = driven wheels)			1x/2	1x/2	1x/2	1x/2	1x/2	
	3.7	Track width, rear	b <sub>11</sub>	mm	1134	1134	1134	1134	1134	
Dimensions	4.1	Tilt of fork, forward/backward	α/β	deg	-2°/4° *	-2°/4° *	-2°/4° *	-2°/4° *	-2°/4° *	
	4.2	Height, mast lowered	h <sub>1</sub>	mm	2887 *	2887 *	2966 *	2966 *	2936 *	
	4.3	Free lift	h <sub>2</sub>	mm	2403 *	2403 *	2459 *	2459 *	2449 *	
	4.4	Lift	h <sub>3</sub>	mm	6945 *	6945 *	6945 *	6945 *	6945 *	
		Lift height	h <sub>23</sub>	mm	7000 *	7000 *	7000 *	7000 *	7000 *	
	4.5	Height, mast extended	h <sub>4</sub>	mm	7540 *	7540 *	7548 *	7548 *	7545 *	
	4.7	Height of overhead guard (cabin)	h <sub>6</sub>	mm	2198	2198	2261	2261	2261	
	4.8	Seat height	h <sub>7</sub>	mm	1136	1136	1198	1198	1198	
	4.10	Height support arms	h <sub>8</sub>	mm	268	268	330	330	330	
	4.15	Height, fork lowered	h <sub>13</sub>	mm	55	55	55	55	55	
	4.19	Overall length	l <sub>1</sub>	mm	2413	2413	2494	2494	2599	
	4.20	Length to face of forks	l <sub>2</sub>	mm	1263	1263	1344	1344	1449	
	4.21	Overall width	b <sub>1</sub>	mm	1270	1270	1270	1270	1270	
	4.22	Fork dimensions	s/e/l	mm	40/100/1150 *	40/100/1150 *	40/120/1150 *	40/120/1150 *	45/125/1150 *	
	4.23	Fork carriage ISO 2328, class/type A, B			2A	2A	2A	2A	2A	
	4.24	Fork carriage width	b <sub>3</sub>	mm	819	819	819	819	819	
	4.25	Width over forks	b <sub>5</sub>	mm	252 - 698	252 - 698	272 - 718	272 - 718	277 - 723	
	4.26	Distance between wheel arms/loading surfaces	b <sub>4</sub>	mm	900 *	900 *	900 *	900 *	900 *	
	4.28	Reach distance	l <sub>4</sub>	mm	506 *	590 *	594 *	654 *	609 *	
	4.31	Ground clearance, with load, below mast	m <sub>1</sub>	mm	68	68	68	68	68	
4.32	Ground clearance, center of wheelbase <sup>2)</sup>	m <sub>2</sub>	mm	74	74	74	74	74		
4.34.1	Aisle width for pallets 1000x1200 crossways	A <sub>st</sub>	mm	2687	2710	2785	2802	2894		
4.34.2	Aisle width for pallets 800x1200 lengthways	A <sub>st</sub>	mm	2749	2757	2836	2842	2942		
4.35	Turning radius	W <sub>a</sub>	mm	1573	1657	1717	1777	1837		
4.37	Length across support arms	l <sub>7</sub>	mm	1744	1828	1913	1973	2033		
Performance data	5.1	Travel speed, with/without load		km/h	10,3/11 <sup>1)</sup>	10/11 <sup>1)</sup>	11/11	11/11	11/11	
	5.1	Travel speed, with/without load (High speed version)		km/h	14/14	14/14	14/14	14/14	14/14	
	5.2	Lift speed, with/without load		m/s	0,38/0,68	0,36/0,68	—	—	—	
	5.2	Lift speed, with/without load (High speed version)		m/s	0,50/0,68	0,50/0,68	0,46/0,68	0,43/0,68	0,37/0,64	
	5.3	Lowering speed, with/without load		m/s	0,59/0,55	0,59/0,55	0,55/0,60	0,55/0,60	0,53/0,58	
	5.4	Reach speed, with/without load		m/s	0,20/0,28	0,20/0,28	0,20/0,28	0,20/0,28	0,20/0,28	
	5.8	Max. gradeability, with/without load <sup>3)</sup>		%	10/15	10/15	10/15	10/15	7/12	
	5.9	Acceleration time with/without load (over 10 m)		s	5,4/4,9	5,5/4,9	4,9/4,4	5,0/4,5	5,4/4,7	
	5.10	Service brake			Electric	Electric	Electric	Electric	Electric	
	Electric motor	6.1	Drive motor rating S2 60 min		kW	7,5	7,5	9,0	9,0	9,0
6.2		Lift motor rating S3 15%		kW	11,0	11,0	—	—	—	
6.2		Lift motor rating S3 15% (High speed version)		kW	15,0	15,0	15,0	15,0	15,0	
6.4		Battery voltage, nominal capacity K <sub>s</sub>		V/Ah	48/465 *	48/465 *	48/620 *	48/620 *	48/775 *	
6.5		Battery weight		kg	685 *	685 *	875 *	875 *	1055 *	
6.6		Energy consumption according to VDI cycle		kWh/h	3,4	3,7	3,9	4,7	5,2	
6.7		Turnover output		t/h	56	66	76	84	105	
6.8		Energy consumption at turnover output		kWh/h	3,2	3,3	3,7	4,2	4,7	
Other	8.1	Type of drive control			Variable AC	Variable AC	Variable AC	Variable AC	Variable AC	
	8.4	Sound level at the driver's ear according to EN 12 053		dB(A)	66	66	66	66	66	

1) 11/11 km/h with support wheel brake.

2) 15 mm under studs.

3) Measured according to company standard.

\* Other alternatives are available.

All data are based on table configuration. Other configurations may give other values.

Truck performance and dimensions are nominal and subject to tolerances.

Toyota Material Handling Manufacturing Sweden AB products and specifications are subject to change without notice.

# Battery compartment

Dimensions			RRE140H/HE			RRE160H/HE				
Mast type			Triplex Hi-Lo - A			Triplex Hi-Lo - A				
1.8	Battery compartment		mm	275	347	419	275	347	419	491
	Load distance, centre of support arm wheel to face of forks	x	mm	310 <sup>1)</sup>	238 <sup>1)</sup>	157	394 <sup>1)</sup>	322 <sup>1)</sup>	250 <sup>1)</sup>	169
4.20	Length to face of forks	$l_2$	mm	1263 <sup>2)</sup>	1335 <sup>2)</sup>	1416	1263 <sup>2)</sup>	1335 <sup>2)</sup>	1407 <sup>2)</sup>	1488
4.33	Aisle width for pallets 1000x1200 crossways	$A_{33}$	mm	2687	2743	2808	2710	2762	2817	2882
4.34	Aisle width for pallets 800x1200 lengthways	$A_{34}$	mm	2749	2815	2890	2757	2822	2888	2963
4.35	Turning radius	$W_a$	mm	1573	1573	1573	1657	1657	1657	1657
6.4	Battery voltage (48V), nominal capacity $K_5$ , Lead-acid		Ah	465	620	775	465	620	775	930
6.4	Battery voltage (48V), nominal capacity $K_5$ , Li-Ion		Ah	—	308, 448	308, 448	308, 448	308, 448	308, 448	308, 448
6.5	Battery weight, min. - max.		kg	685 - 825	875 - 1030	1055 - 1235	685 - 825	875 - 1030	1055 - 1235	1250 - 1440

1) With battery in sleigh - 9 mm  
 2) With battery in sleigh + 9 mm

Dimensions			RRE180H/HE					RRE200H/HE					RRE250H/HE									
Mast type			Triplex Hi-Lo - B			Triplex Hi-Lo - C			Triplex Hi-Lo - B			Triplex Hi-Lo - C			Triplex Hi-Lo - D		Triplex Hi-Lo - D					
1.8	Battery compartment		mm	347	419	491	347	419	491	347	419	491	347	419	491	347	419	491	347	419		
	Load distance, centre of support arm wheel to face of forks	x	mm	373	301	229	340	268	196	433	361	289	400	328	256	345	273	201	388	316	333	261
4.20	Length to face of forks	$l_2$	mm	1344	1416	1488	1377	1449	1521	1344	1416	1488	1377	1449	1521	1432	1504	1576	1449	1521	1504	1576
4.33	Aisle width for pallets 1000x1200 crossways	$A_{33}$	mm	2785	2838	2894	2809	2863	2920	2802	2853	2907	2825	2878	2933	2865	2920	2976	2894	2947	2934	2989
4.34	Aisle width for pallets 800x1200 lengthways	$A_{34}$	mm	2836	2901	2967	2865	2931	2998	2842	2906	2972	2871	2936	3002	2921	2987	3053	2942	3007	2992	3058
4.35	Turning radius	$W_a$	mm	1717	1717	1717	1717	1717	1717	1777	1777	1777	1777	1777	1777	1777	1777	1777	1837	1837	1837	1837
6.4	Battery voltage (48V), nominal capacity $K_5$ , Lead-acid		Ah	620	775	930	620	775	930	620	775	930	620	775	930	620	775	930	775	930	775	930
6.4	Battery voltage (48V), nominal capacity $K_5$ , Li-Ion		Ah	308, 448	308, 448	308, 448	308, 448	308, 448	308, 448	308, 448	308, 448	308, 448	308, 448	308, 448	308, 448	308, 448	308, 448	308, 448	308, 448	308, 448	308, 448	308, 448
6.5	Battery weight, min. - max.		kg	875-1030	1055-1235	1250-1440	875-1030	1055-1235	1250-1440	875-1030	1055-1235	1250-1440	875-1030	1055-1235	1250-1440	875-1030	1055-1235	1250-1440	1055-1235	1250-1440	1055-1235	1250-1440

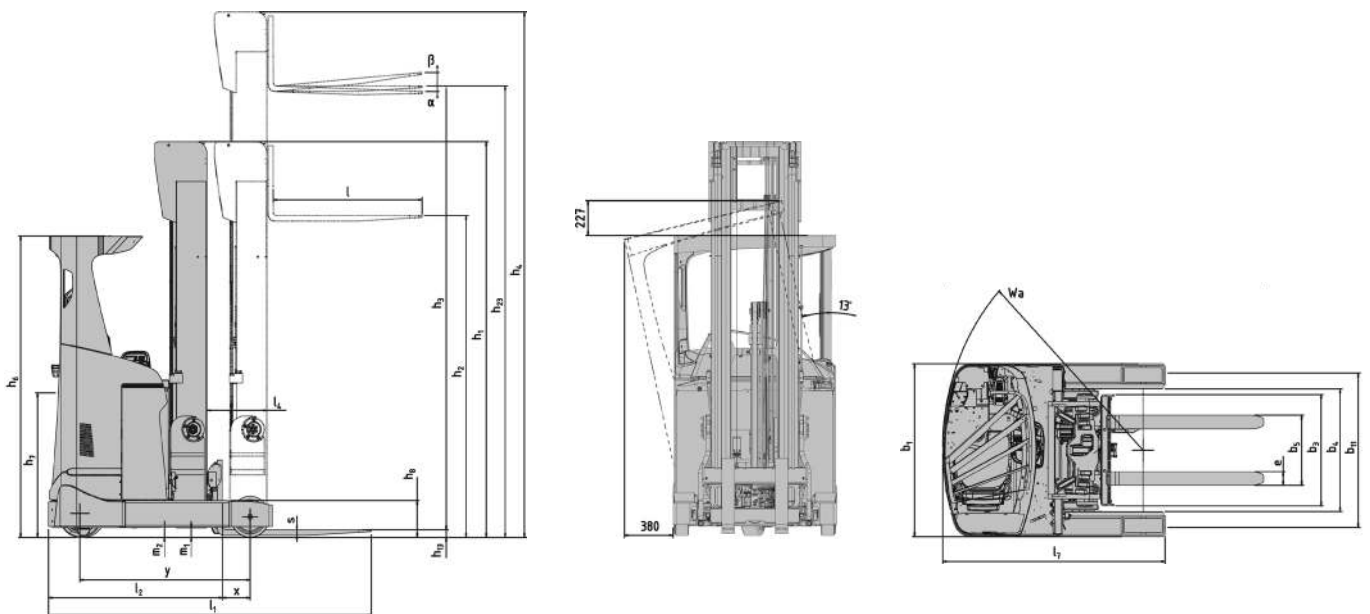
# Mast dimensions

RRE140/160, H/HE			Triplex Hi-Lo - A														
	Lift height	$h_{23}$	mm	4900	5400	5700	6300	7000	7250	7500	8000	8500	9000	9500	10000	10500	11000
4.4	Lift	$h_3$	mm	4845	5345	5645	6245	6945	7195	7445	7945	8445	8945	9445	9945	10445	10945
4.2	Height, mast lowered	$h_1$	mm	2187	2354	2454	2654	2887	2971	3054	3221	3387	3554	3721	3887	4054	4221
4.3	Free lift	$h_2$	mm	1703	1871	1971	2171	2403	2487	2571	2737	2903	3071	3237	3403	3571	3737
4.5	Height, mast extended	$h_4$	mm	5440	5941	6241	6841	7540	7792	8041	8542	9040	9541	10042	10540	11041	11542

RRE180H/HE			Triplex Hi-Lo - B										Triplex Hi-Lo - C							
	Lift height	$h_{23}$	mm	4850	5400	5700	6300	7000	7500	8000	8500	9000	9500	10000	10500	11000	11500	12000	12500	13000
4.4	Lift	$h_3$	mm	4795	5345	5645	6245	6945	7445	7945	8445	8945	9445	9945	10445	10945	11445	11945	12445	12945
4.2	Height, mast lowered	$h_1$	mm	2249	2432	2532	2732	2966	3132	3299	3466	3632	3799	3966	4132	4299	4463	4630	4797	4963
4.3	Free lift	$h_2$	mm	1741	1925	2025	2225	2459	2625	2791	2959	3125	3291	3459	3625	3791	3949	4117	4283	4449
4.5	Height, mast extended	$h_4$	mm	5397	5946	6246	6846	7548	8046	8547	9048	9546	10047	10548	11046	11547	12045	12546	13047	13545

RRE200H/HE			Triplex Hi-Lo - B										Triplex Hi-Lo - C				Triplex Hi-Lo - D			
	Lift height	$h_{23}$	mm	4850	5400	5700	6300	7000	7500	8000	8500	9000	9500	10000	10500	11000	11500	12000	12500	13000
4.4	Lift	$h_3$	mm	4795	5345	5645	6245	6945	7445	7945	8445	8945	9445	9945	10445	10945	11445	11945	12445	12945
4.2	Height, mast lowered	$h_1$	mm	2249	2432	2532	2732	2966	3132	3299	3466	3632	3799	3963	4130	4297	4463	4630	4797	4963
4.3	Free lift	$h_2$	mm	1741	1925	2025	2225	2459	2625	2791	2959	3125	3291	3449	3617	3783	3949	4117	4283	4449
4.5	Height, mast extended	$h_4$	mm	5397	5946	6246	6846	7548	8046	8547	9048	9546	10047	10545	11046	11547	12045	12546	13047	13545

RRE250H/HE			Triplex Hi-Lo - C										Triplex Hi-Lo - D							
	Lift height	$h_{23}$	mm	4850	5400	5700	6300	7000	7500	8000	8500	9000	9500	10000	10500	11000	11500	12000	12500	13000
4.4	Lift	$h_3$	mm	4795	5345	5645	6245	6945	7445	7945	8445	8945	9445	9945	10445	10945	11445	11945	12445	12945
4.2	Height, mast lowered	$h_1$	mm	2247	2430	2530	2730	2936	3130	3297	3463	3630	3797	3963	4130	4297	4463	4630	4797	4963
4.3	Free lift	$h_2$	mm	1733	1917	2017	2217	2449	2617	2783	2949	3117	3283	3449	3617	3783	3949	4117	4283	4449
4.5	Height, mast extended	$h_4$	mm	5397	5946	6246	6846	7545	8046	8547	9045	9546	10047	10545	11046	11547	12045	12546	13047	13545





TP-Technical Publications, Sweden — 749995-040, version 3, 2017-03-23

**TOYOTA**

**MATERIAL HANDLING**