

# Rider seated lowlifter truck 3.0 ton

## BT levio

*R-series*

LRE300

LRE300T



# Rider seated lowlifter

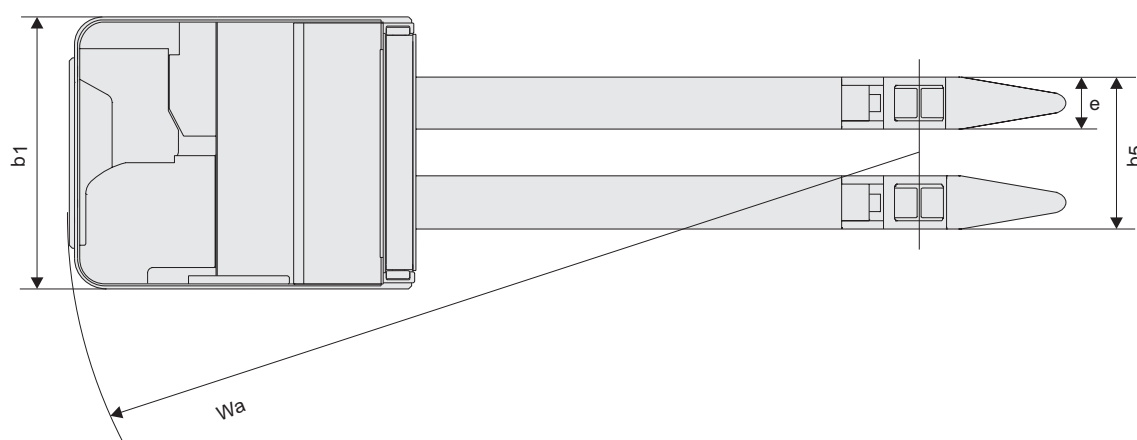
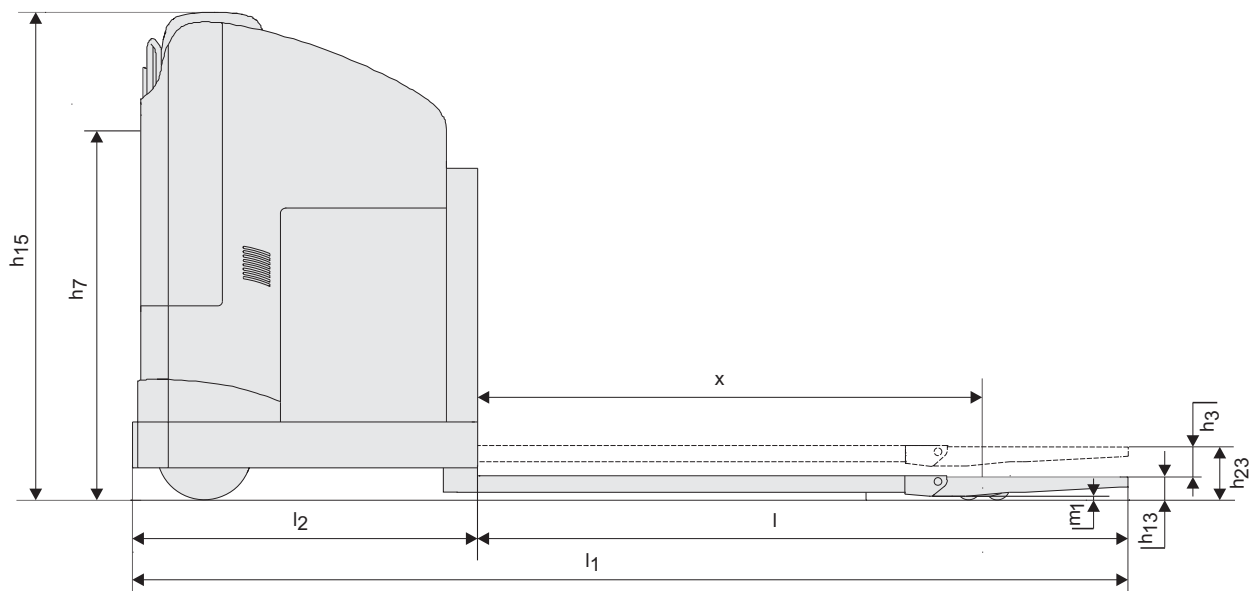
Specifications					LRE300	LRE300T
Identification	1.1	Manufacturer			BT	BT
	1.2	Model			LRE300	LRE300T
	1.3	Drive			Electric	Electric
	1.4	Operator type			Seated	Seated
	1.5	Load capacity/rated load	Q	kg	3000	3000
	1.6	Load centre	c	mm	600	600
	1.8	Load distance, back of fork to bogie wheel centre	x	mm	1852/2352/2682	1852/2352/2682
Weight	2.1	Service weight without battery		kg	1720	1900
	2.2	Axle load, with load, drive/castor/fork wheel		kg	3300/2720	3490/3030
	2.3	Axle load, without load, drive/castor/fork wheel		kg	2430/590	2830/680
Wheels	3.1	Drive/castor/fork wheel			Vulkollan	Vulkollan
	3.2	Wheel size, front		mm	Ø 90	Ø 90
	3.3	Wheel size, rear		mm	Ø 350	Ø 350
Dimensions	4.2	Height	$h_{15}$	mm	1800	2115
	4.4	Lift	$h_3$	mm	110	110
		Lift height	$h_{23}$	mm	200	200
	4.8	Height of drivers seat	$h_7$	mm	1270	1585
	4.15	Height, fork lowered	$h_{13}$	mm	90	90
	4.19	Overall length	$l_1$	mm	3670	3670
	4.20	Length to face of forks	$l_2$	mm	1280	1280
	4.21	Overall width	$b_1$	mm	1000	1000
	4.22	Fork dimensions	e/l	mm	195/2390 <sup>1)</sup>	195/2390 <sup>1)</sup>
	4.25	Width over forks	$b_5$	mm	550/560/680	550/560/680
	4.32	Ground clearance, centre of wheelbase	$m_1$	mm	30	30
4.35	Turning radius	$W_a$	mm	3150	3150	
Perf.	5.1	Travel speed, with/without load		km/h	13,3/15,1	18,0/19,9
	5.10	Service brake			Electric	Electric
Electric motor	6.1	Drive motor rating S2 60 min		kW	9,0	7,5 x 2
	6.2	Lift motor rating at S3 4%		kW	2,0	2,0
	6.4	Battery voltage/nominal capacity $K_5$		V/Ah	48/840	48/840
	6.5	Battery weight		kg	1330	1600
Others	8.1	Type of drive control			Stepless	Stepless
	8.6	Steering			360° electrical	360° electrical

1) Other alternatives are available

All data are based on table configuration. Other configurations may give other values.

Truck performance and dimensions are nominal and subject to tolerances.

BT products and specifications are subject to change without notice.



---

## Truck features:

- High performance models
- Twin drive wheels
- Electronic steering
- 360° progressive steering
- Automatic deceleration
- BT Access control
- Driver detection system
- Adjustable seat
- Adjustable steering wheel
- Easy access for maintenance

