

# Rider seated lowlifter truck 2.0 ton

**BT levio**

*R-series*

LRE200



# Rider seated lowlifter

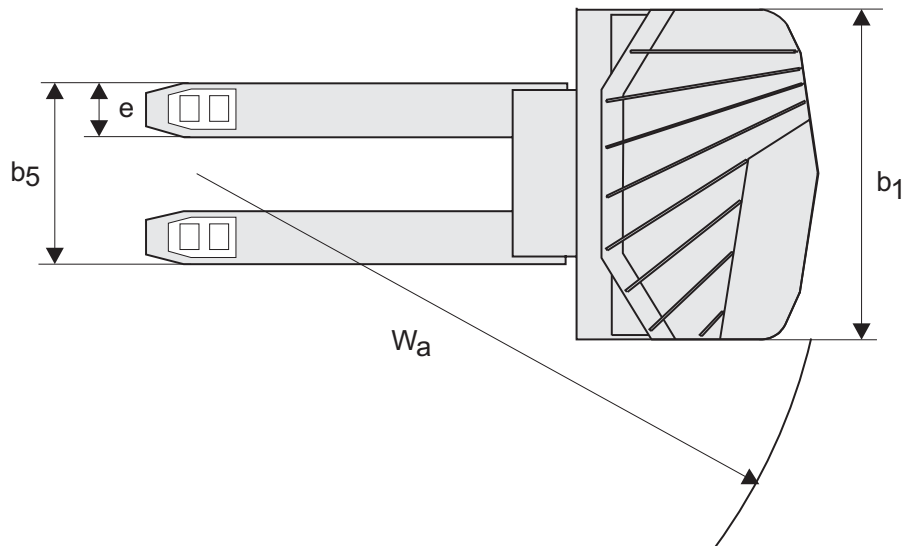
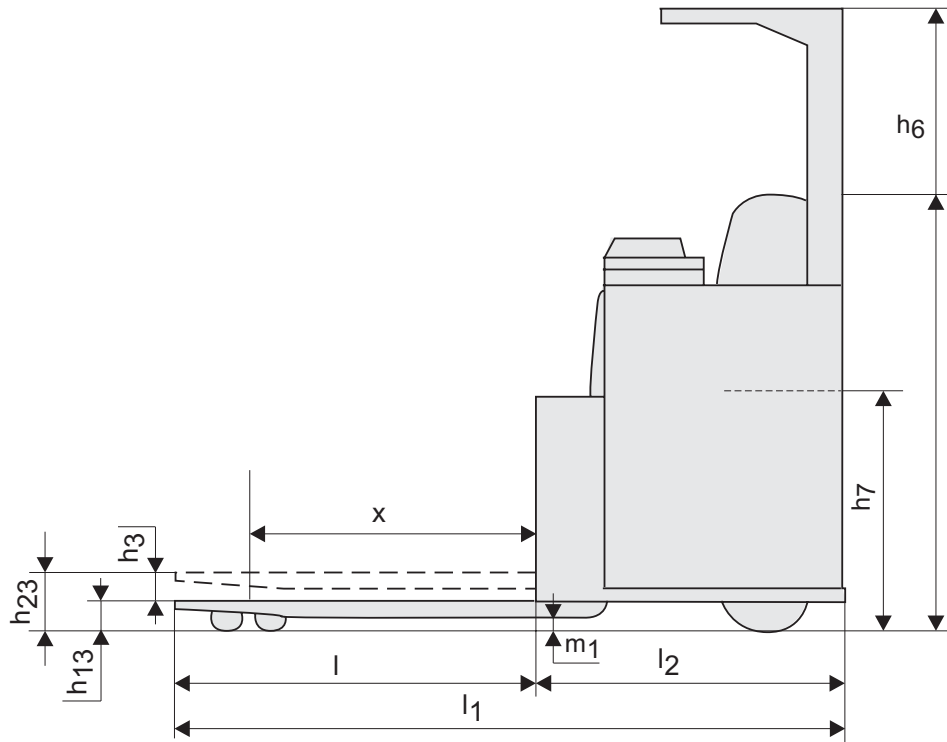
Specifications					LRE200
Identification	1.1	Manufacturer			Toyota
	1.2	Model			LRE200
	1.3	Drive			Electric
	1.4	Operator type			Seated
	1.5	Load capacity/rated load	Q	kg	2000
	1.6	Load centre	c	mm	600
	1.8	Load distance, front axle to front face, fork raised/lowered	x	mm	899/956
Weight	2.1	Service weight without battery		kg	750
	2.2	Axle load, with load, drive/castor/fork wheel		kg	1490/1860
	2.3	Axle load, without load, drive/castor/fork wheel		kg	1045/305
Wheels	3.1	Drive/castor/fork wheel			Polyurethane
	3.2	Wheel size, front		mm	Ø 80
	3.3	Wheel size, rear		mm	Ø 250
Dimensions	4.4	Lift	$h_3$	mm	120
		Lift height	$h_{23}$	mm	205
	4.7	Height of truck, min./max.	$h_6$	mm	1425/1980
	4.8	Height of drivers seat	$h_7$	mm	900-980
	4.15	Height, fork lowered	$h_{13}$	mm	85
	4.19	Overall length	$l_1$	mm	2124
	4.20	Length to face of forks	$l_2$	mm	974
	4.21	Overall width	$b_1$	mm	1020
	4.22	Fork dimensions	e/l	mm	180/1150
	4.25	Width over forks	$b_5$	mm	520/570/685
	4.32	Ground clearance, centre of wheelbase	$m_1$	mm	28
4.35	Turning radius	$W_a$	mm	1910	
Performance data	5.1	Travel speed, with/without load		km/h	8,6/10,1
	5.2	Lift speed, with/without load		m/s	0,04/0,05
	5.3	lowering speed, with/without load		m/s	0,04/0,03
	5.8	Max. gradeability, with/without load <sup>1)</sup>		%	8/15
	5.10	Service brake			Hydraulic
Electric motor	6.1	Drive motor rating S2 60 min		kW	2,6
	6.2	Lift motor rating at S3 10%		kW	2,0
	6.4	Battery voltage/nominal capacity $K_5$		V/Ah	24/375-620
	6.5	Battery weight, min./max.		kg	382/490
Others	8.1	Type of drive control			Stepless

1) Measured according to company standard.

All data are based on table configuration. Other configurations may give other values.

Truck performance and dimensions are nominal and subject to tolerances.

Toyota Material Handling Manufacturing Sweden AB products and specifications are subject to change without notice.



---

## Truck features:

- Adjustable BT Control console
- Information display
- Electronic steering
- Driver detection system
- Clear-view overhead guard
- Adjustable seat
- Adjustable steering wheel
- Easy access for maintenance



TP-Technical Publications, Sweden — 747300-040, version 1, 1104

**TOYOTA**

**MATERIAL HANDLING**